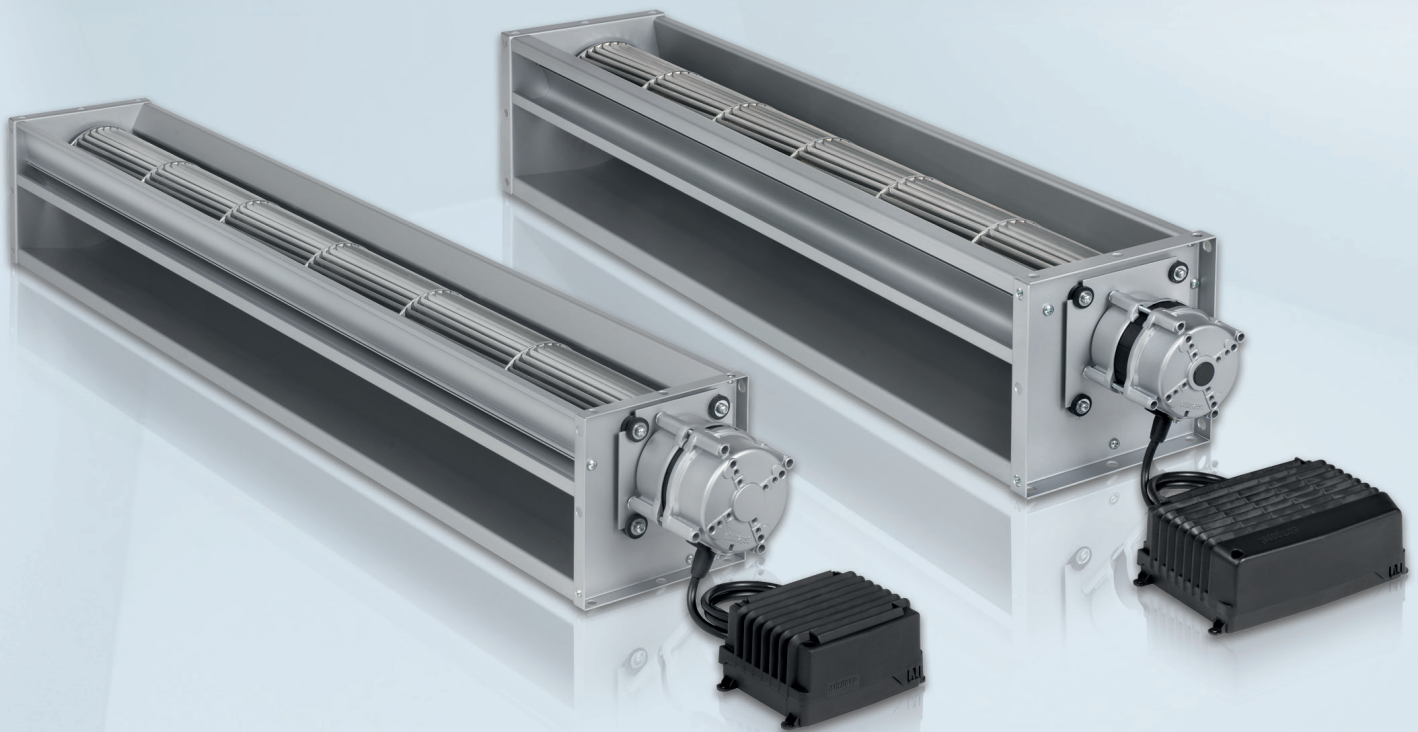


Tangential blowers

QL 80 / QL 100

ebmpapst

The engineer's choice



About ebm-papst.

As a leader in technologies for ventilation and drive engineering, ebm-papst is in demand as an engineering partner in many sectors. With over 15,000 different products, we provide the right solution for just about any challenge. Our fans and drives are reliable, quiet and energy-efficient.



Six reasons that make us the ideal partner:

Our systems expertise.

You want the best solution for every project. The entire ventilation system must thus be considered as a whole. And that's what we do – with motor technology that sets standards, sophisticated electronics and aerodynamic designs – all from a single source and perfectly matched.

Our spirit of invention.

We are also always able to develop customized solutions for you with our versatile team of over 600 engineers and technicians.

Our lead in technology.

We are pioneers and leaders in the development of high-efficiency EC technology. Already today almost our entire product range is also available with GreenTech EC technology. The list of benefits is long: higher efficiency, low maintenance, longer service life, sound reduction, intelligent control characteristics and incomparable energy efficiency.

Proximity to our customers.

ebm-papst owns 57 sales offices worldwide, of which 47 are subsidiaries with an extensive network of sales representatives and distributors. You will always have a local contact, someone who speaks your language and knows your market.

Our standard of quality.

Our quality management is uncompromising, at every step in every process. This is underscored by our certification according to international standards including DIN EN ISO 9001, ISO/TS 16949-2 and DIN EN ISO 14001.

Our sustainable approach.

Assuming responsibility for the environment, for our employees and for society is an integral part of our corporate philosophy. We develop products with an eye to maximum environmental compatibility, in particular resource-preserving production methods. We promote environmental awareness among our young staff and are actively involved in sporting, cultural activities and education. That's what makes us a leading company – and an ideal partner for you.

A plus in output, efficiency and more...

Reliable, durable and extremely quiet – the outstanding features of tangential blowers from ebm-papst. For decades, they have been tried and tested in a wide variety of applications that require the specific characteristics of a flat fan design. Depending on the application, tangential blowers with EC motors have become increasingly popular, for example when high efficiency and stepless modulating are required. EC tangential blowers feature many other beneficial properties that make equally high-performance and energy-efficient end products a reality. Frequently, this provides critical competitive advantages.

ebm-papst tangential blowers:

one principle, virtually limitless applications

The tangential flow principle is suitable for an extremely wide variety of applications that require an air supply over a wide surface. The very flat design of our products, and the resulting ease of integration, even into tight installation situations, is a result of the mostly small ratio of the shaft diameter to the shaft length. The large intake and discharge cross-section allows a high air flow at low flow rates. ebm-papst tangential blowers also feature a long thrust range and very low noise levels.

ebm-papst EC technology:

a plus in output, efficiency and more ...

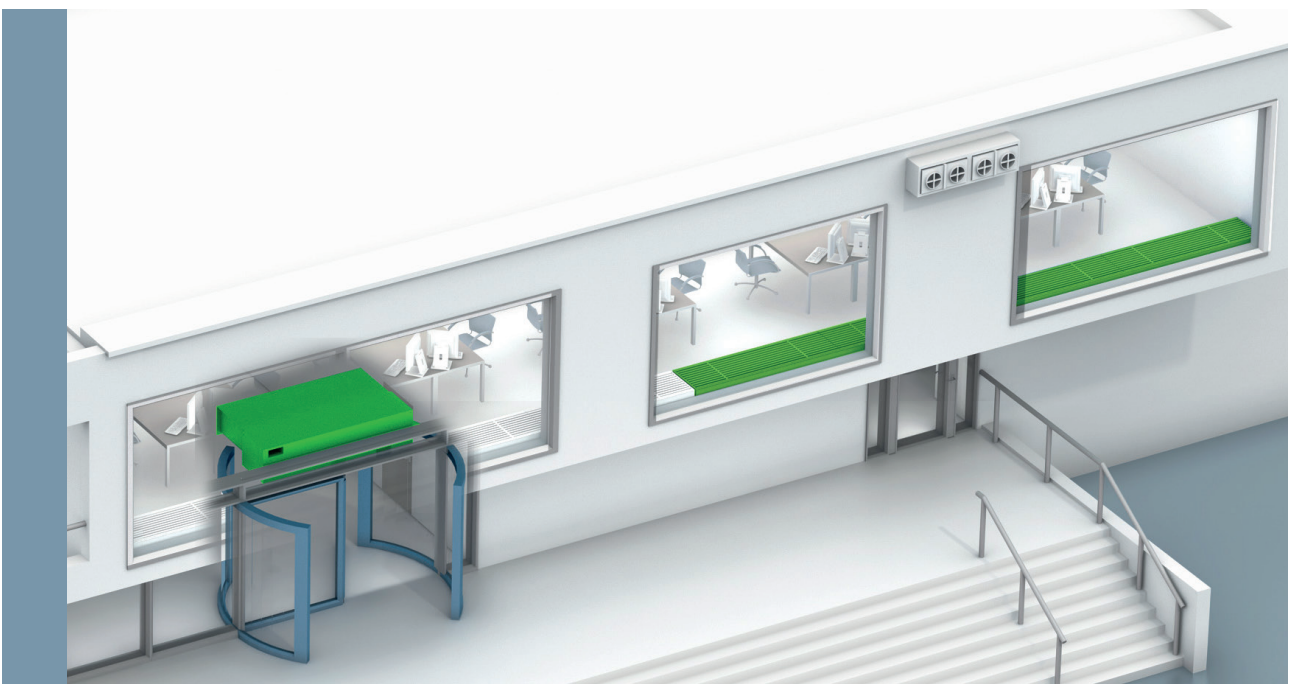
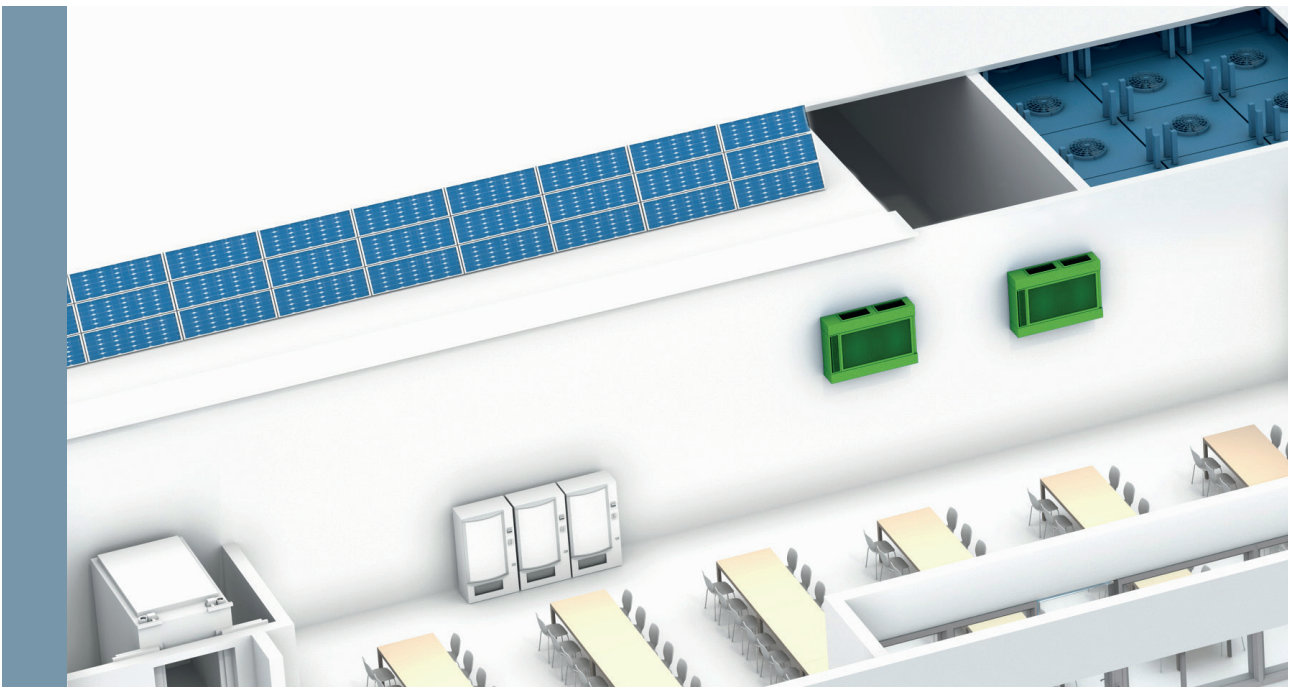
Moving air intelligently, minimizing energy consumption, maximizing output: you can do all of this and more with EC technology from ebm-papst. Our tangential blowers with EC motors save money and natural resources thanks to their high efficiency, continuously variable controllability over analog or digital inputs, long, maintenance-free service life and robustness. In addition, they are extremely quiet in operation. Furthermore, GreenTech EC technology enables cost-effective integration of both simple and complex controls.



ebm-papst tangential blowers are capable of almost anything...

Applications

- Heating (fireplaces, floor convectors)
- Air conditioning (ceiling heating and cooling cassettes, air humidifiers, air curtains)
- Commercial and residential cooling (bottle coolers, refrigerated counters)
- Telecommunication (electronics cooling)
- Health care (diagnostic devices, x-ray devices, incubators)
- Office equipment (copy machines, printers)
- Gastronomy (refrigerated counters, commercial dishwashers)



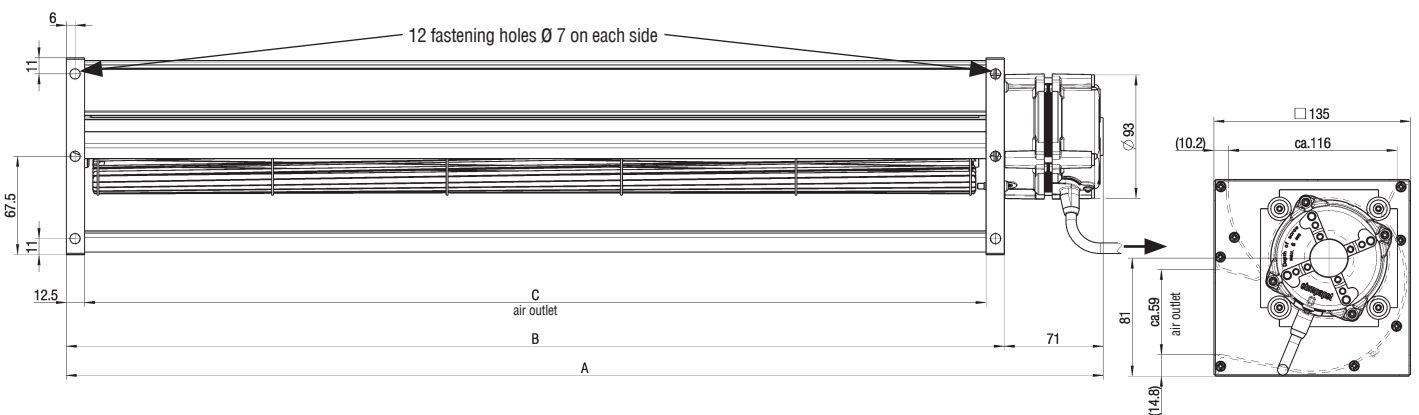
QL 80



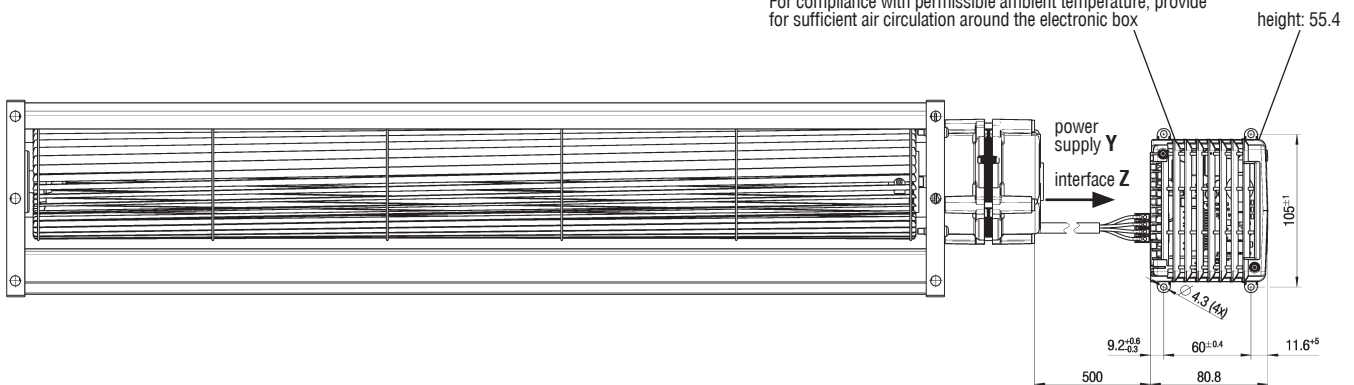
Tangential blowers with electronically commutated direct current motors

- With external commutation electronics
- Vibration-cushioned suspension
- Blower speed adjustable through PWM signal, or through 0 -10 V analog voltage signal (see page 7)
- Impeller diameter: 80 mm
- Mounting position: horizontal; vertical with motor on the bottom on request
- Permissible ambient temperature electronics: 0 - 50 °C
- Degree of protection: IP00 (electronics), IP54 (motor) possible
- Protection class I
- Overload protected by software class B
- Controlled speed

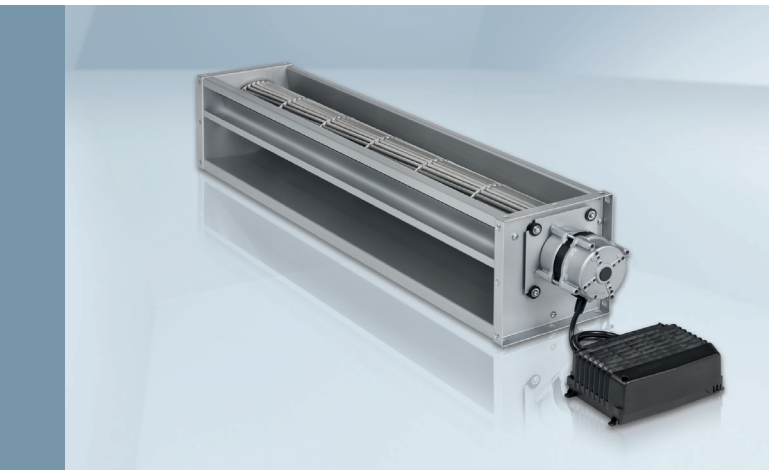
Nominal data		Characteristic curve	Nominal voltage (AC)	Air flow	Max. pressure increase	Max. power input	Speed	Permissible ambient temperature (motor)	Permissible medium temperature	Dimensions in mm		
Type	Part number	V	m ³ /h	Pa	W	min ⁻¹	°C	°C	a	b	c	
QL80/5000-BG4310	55669.01010	1	220-240	800	45	38	1500	0 - 60	-15 - 80	616	545	520
QL80/6000-BG4310	55669.02010	2	220-240	890	45	38	1500	0 - 60	-15 - 80	716	645	620
QL80/7000-BG4310	55669.03010	3	220-240	970	45	38	1500	0 - 60	-15 - 80	816	745	720
QL80/8000-BG4310	55669.04010	4	220-240	1020	45	38	1500	0 - 60	-15 - 80	916	845	820



Required minimum distance: 20 mm
For compliance with permissible ambient temperature, provide for sufficient air circulation around the electronic box



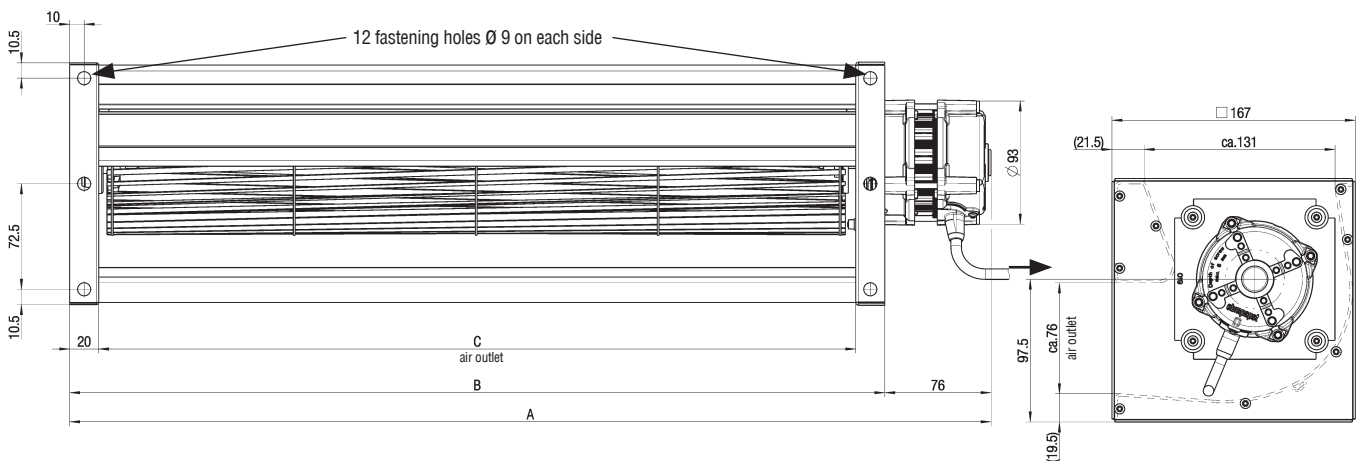
QL 100



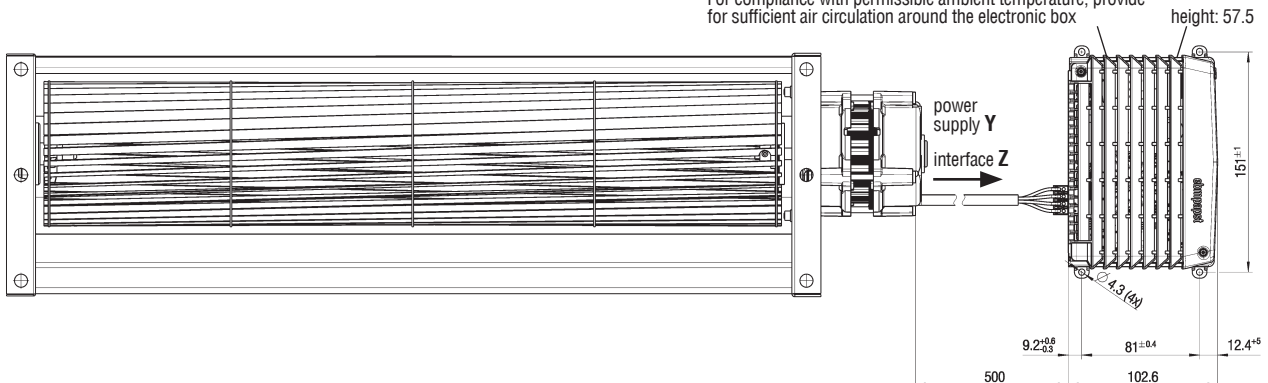
Tangential blowers with electronically commutated direct current motors

- With external commutation electronics
- Vibration-cushioned suspension
- Blower speed adjustable through PWM signal, or through 0 -10 V analog voltage signal (see page 7)
- Impeller diameter: 100 mm
- Mounting position: horizontal; vertical with motor on the bottom on request
- Permissible ambient temperature electronics: 0 - 50 °C
- Degree of protection: IP00 (electronics), IP54 (motor) possible
- Protection class I
- Overload protected by software class B
- Controlled speed

Nominal data		Characteristic curve	Nominal voltage (AC)	Air flow	Max. pressure increase	Max. power input	Speed	Permissible ambient temperature (motor)	Permissible medium temperature	Dimensions in mm		
Type	Part number	V	m ³ /h	Pa	W	min ⁻¹	°C	°C	a	b	c	
QL100/5000-BG4320	55669.11010	1	220-240	1075	75	80	1500	0 - 60	-15 - 80	836	560	520
QL100/6000-BG4320	55669.12010	2	220-240	1200	75	80	1500	0 - 60	-15 - 80	736	660	620
QL100/7000-BG4320	55669.13010	3	220-240	1300	75	80	1500	0 - 60	-15 - 80	836	760	720
QL100/8000-BG4320	55669.14010	4	220-240	1360	75	80	1500	0 - 60	-15 - 80	936	860	820

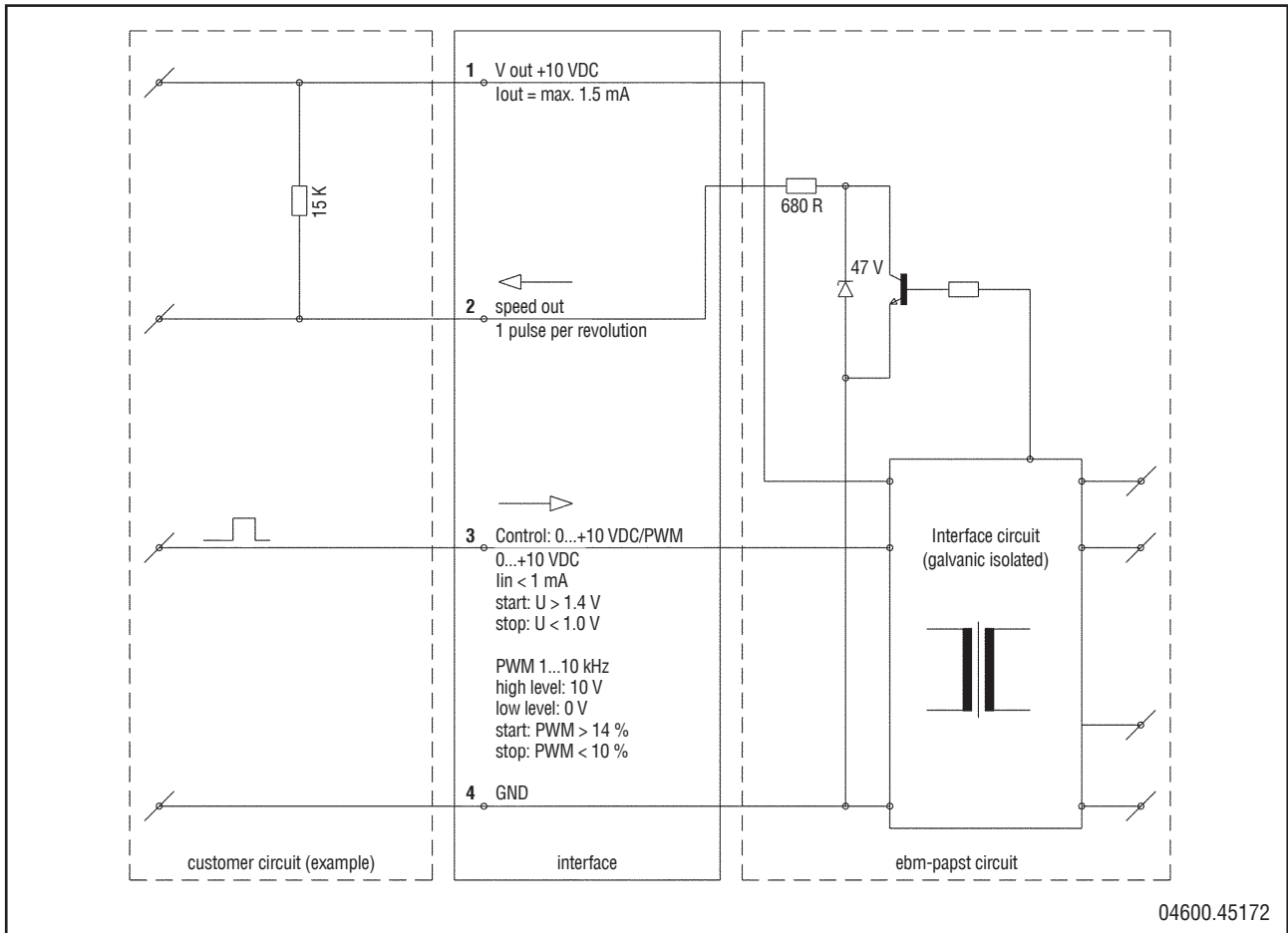


Required minimum distance: 20 mm
For compliance with permissible ambient temperature, provide for sufficient air circulation around the electronic box



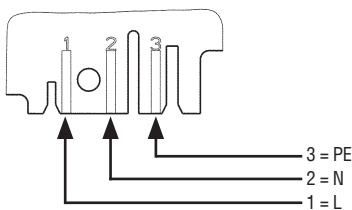
Characteristic curve, electrical interfaces and connectors

Interface



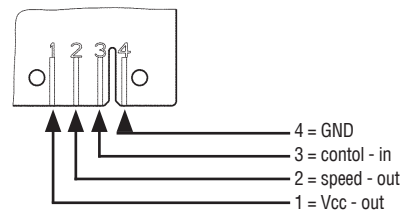
Power supply Y

Coding of the PCB fits to edge connector:
e.g. MFW9590-03-EF05-000-960-000-00 (Fa. Stocko)
Part number for mating connector: 24310.45065

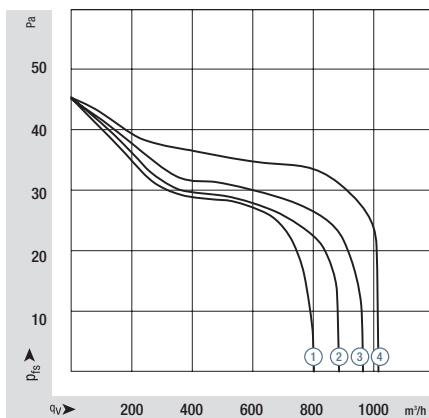


Interface Z

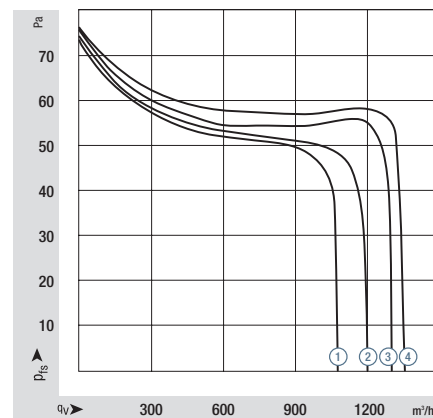
Coding of the PCB fits to edge connector:
e.g. MFW7238-004-061-960-000-00-G (Fa. Stocko)
Part number for mating connector: 24310.45066



Characteristic curve QL 80



Characteristic curve QL 100



ebm-papst
Landshut GmbH

Hofmark-Aich-Straße 25
84030 Landshut
Germany
Phone +49 871 707-0
Fax +49 871 707-465
info3@de.ebmpapst.com

ebmpapst

The engineer's choice