



The engineer's choice

ebmpapst

New AC axial fans - HyBlade®

A new, first-of-its-kind hybrid blade design makes these ebm-papst axial fans even quieter, more powerful and more durable than ever. In designing the HyBlade® fan blades, we have developed a support structure of high-strength, corrosion-resistant aluminium alloy with a jacket of a special, fibre-reinforced plastics. Compared to conventional blades, the optimal aerodynamic shape results in an enormous noise reduction while significantly increasing efficiency. And thus it offers even more advantages for use in refrigeration, heating and ventilation technology.

Revolutionary design

In the field of refrigeration and ventilation, axial fans are widely used, e.g. to cool heat exchangers by making air pass through them. For ages, the ebm-papst external-rotor motor has proved to be the best choice as it has a compact design, with the axial blades directly mounted onto the rotor. However, fans are not only expected to have compact dimensions. Fans are also expected to offer maximum air performance at an absolute minimum of noise.

Until now, the fan blades have been conventionally manufactured of steel or aluminium sheet. To keep up with the increasing demands on efficiency and noise behaviour, ebm-papst set its sights on the development of new blade geometries. In their research, ebm-papst engineers found themselves up against limits caused by the restrictive design potential of the monolithic sheet-metal blade with uniform plate thickness.

To break these barriers and to achieve lower noise and better efficiency, they realised that entirely new principles of design, materials and component structures were necessary. And so, ebm-papst uses their revolutionary hybrid blade design to preserve seemingly incompatible properties by means of hybrid components and structures.

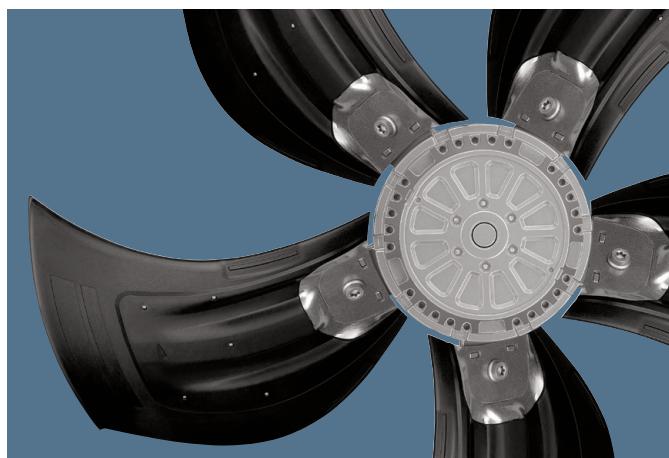
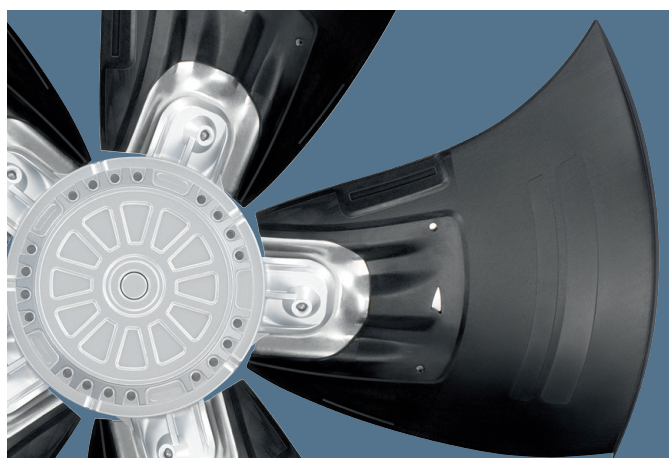
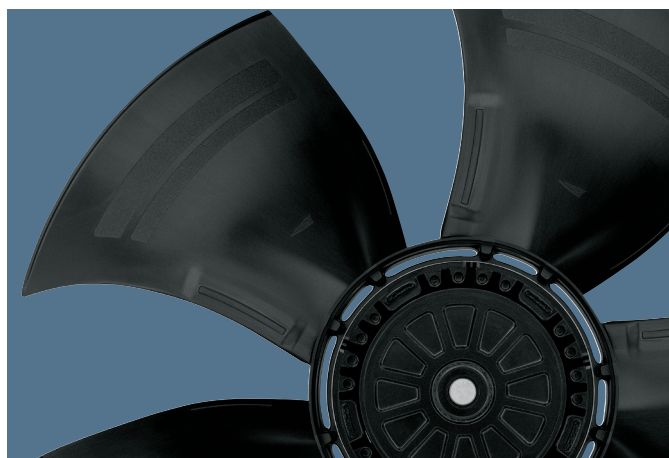
Strong connection

In designing the HyBlade® axial fan blades, ebm-papst was the first to use a support structure of high-strength, corrosion-resistant aluminium alloy with a jacket made of a special, fibre-reinforced plastics.

Using these two materials makes for an ideal combination of their individual characteristics. The aluminium inlet receives the mechanical forces and ensures a durable connection to the rotor during operation, while the plastic encapsulating the support structure gives the blade its optimised aerodynamic shape. At the same time, the plastic jacket has a positive effect on the total weight of the fan. Two aspects add to the considerable noise reduction as compared to conventional blades: The aerodynamically optimised and profiled contour, and the simple addition of "winglets" to the ends of the blades.

In meeting the ebm-papst quality standards, extensive tests and calculations were performed to guarantee the reliability of this new technology. With HyBlade®, ebm-papst has set new standards in fan technology by minimising noise and increasing maximum efficiency.

Table of content

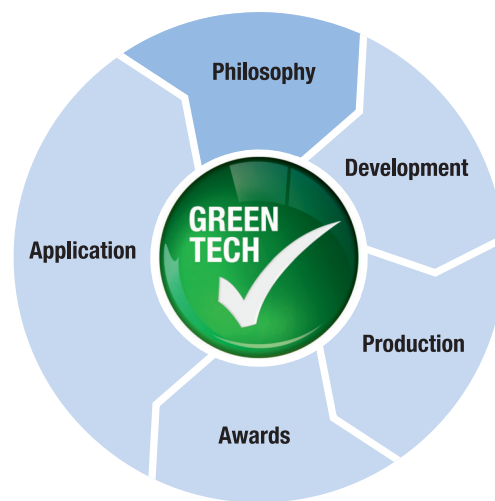


■ New AC axial fans - HyBlade®	2
■ GreenTech: The Green Company	4
■ Size 500	6
■ Size 560	12
■ Size 630	16
■ Size 710	22
■ Size 800	26
■ Size 910	30
■ Electrical connections	34
■ Technical parameters & scope	36
■ ebm-papst representatives & subsidiaries	40

Sustainability is at the Centre of Our Thoughts and Actions. Out of Conviction!

Eco-friendliness and sustainability have always been at the core of our thoughts and actions. For decades, we have worked according to the simple but strict creed of our co-founder Gerhard Sturm: "Each new product we develop has to be better than the last one in terms of economy and ecology." GreenTech is the ultimate expression of our corporate philosophy.





GreenTech is pro-active development.

Even in the design phase, the materials and processes we use are optimised for the greatest possible eco-friendliness, energy balance and – wherever possible – recyclability. We continually improve the material and performance of our products, as well as the flow and noise characteristics. At the same time, we significantly reduce energy consumption. Close cooperation with universities and scientific institutes and the professorship we endow in the area of power engineering and regenerative energies allows us to profit from the latest research findings in these fields – and at the same time ensure highly qualified young academics.

GreenTech is ecofriendly production.

GreenTech also stands for maximum energy efficiency in our production processes. There, the intelligent use of industrial waste heat and ground-water cooling, photovoltaics and, of course, our own cooling and ventilation technology are of the utmost importance. Our most modern plant, for instance, consumes 91% less energy than currently specified and required. In this way, our products contribute to protecting the environment, from their origin to their recyclable packaging.

GreenTech is acknowledged and certified.

Every step in our chain of production meets the stringent standards of environmental specialists and the public. The 2008 Environmental Prize of Baden-Wuerttemberg, the Green Award 2009, the Energy Efficiency Award 2009 of the dena – to give just a few examples – testify to this. The environmental advantage gained in the performance of the products developed from our GreenTech philosophy can also be measured in the fulfilment of the most stringent energy and environmental standards. In many instances, our products are already well below the thresholds energy legislation will impose a few years from now – several times over.

Our customers profit from this every day.

The heart of GreenTech is ebm-papst EC technology. The EC technology at the core of our most efficient motors and fans allows efficiency of up to 90%, saves energy at a very high level, significantly extends service life and makes our products maintenance-free. These values pay off not only for the environment, but every cent also pays off for the user! All ebm-papst products – even those for which EC technology does not (yet) make sense from an application viewpoint – feature the greatest possible connection of economy and ecology.

AC axial fans - HyBlade®

Ø 500



- **Material:** Guard grille: Steel, phosphated and coated in black plastic
Wall ring: Sheet steel, pre-galvanised and coated in black plastic
Blades: Pressed-on round sheet steel plate, extrusion-coated in PP plastics
Rotor: Coated in black
- **Number of blades:** 5
- **Direction of rotation:** counter-clockwise, seen on rotor
- **Type of protection:** IP 54 (acc. to EN 60529)
- **Insulation class:** "F"
- **Mounting position:** Shaft horizontal or rotor on bottom; rotor on top on request
- **Condensate discharge holes:** Rotor-side
- **Mode of operation:** Continuous operation (S1)
- **Bearings:** Maintenance-free ball bearings
- **Motor protection:** Design with thermal overload protector

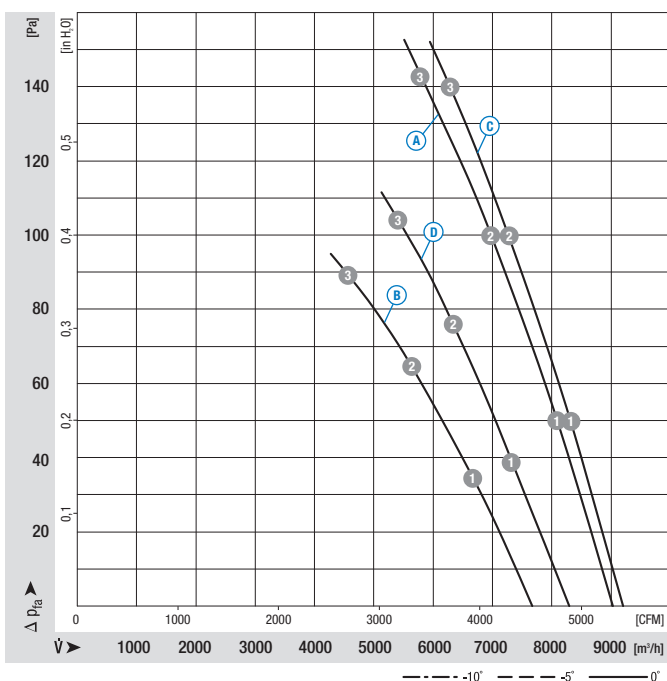
Nominal data

Type	Motor	Blade angle	Curve	Nominal voltage	Frequency	Speed/rpm ⁽¹⁾	Max. power input ⁽¹⁾	Max. current draw ⁽¹⁾	Capacitor	Max. operative range	Perm. amb. temp.	Electr. connection
				VAC	Hz	rpm	kW	A	µF/VDB	Pa	°C	p. 34
*4D 500	M4D 110-EF	0°	A	3~400 Δ	50	1340	0,71	1,40	—	140	-40..+60	F1b)/F2b)
			B	3~400 Y	50	1060	0,48	0,80	—	87	-40..+60	
*4D 500	M4D 110-GF	0°	C	3~400 Δ	50	1390	0,72	1,41	—	140	-40..+65	F1b)/F2b)
			D	3~400 Y	50	1180	0,55	0,95	—	100	-40..+65	
*6D 500	M6D 110-EF	0°	E	3~400 Δ	50	930	0,27	0,69	—	75	-40..+65	F1b)/F2b)
			F	3~400 Y	50	800	0,19	0,40	—	55	-40..+65	
*8D 500	M8D 110-EF	0°	G	3~400 Δ	50	680	0,15	0,40	—	40	-40..+65	F1b)/F2b)
			H	3~400 Y	50	560	0,09	0,18	—	28	-40..+65	

subject to alterations

(1) Nominal data in operating point 3 with maximum load

Curves



Air performance measured as per: ISO 5801, Installation category A, in ebm-papst full nozzle and without protection against accidental contact

Suction-side noise levels: L_{wA} as per ISO 13347, L_{pA} measured at 1 m distance to fan axis

The acoustic values given are only valid under the measurement conditions listed and may vary depending on the installation situation.

With any deviation to the standard setup, the specific values have to be checked and reviewed once installed or fitted!

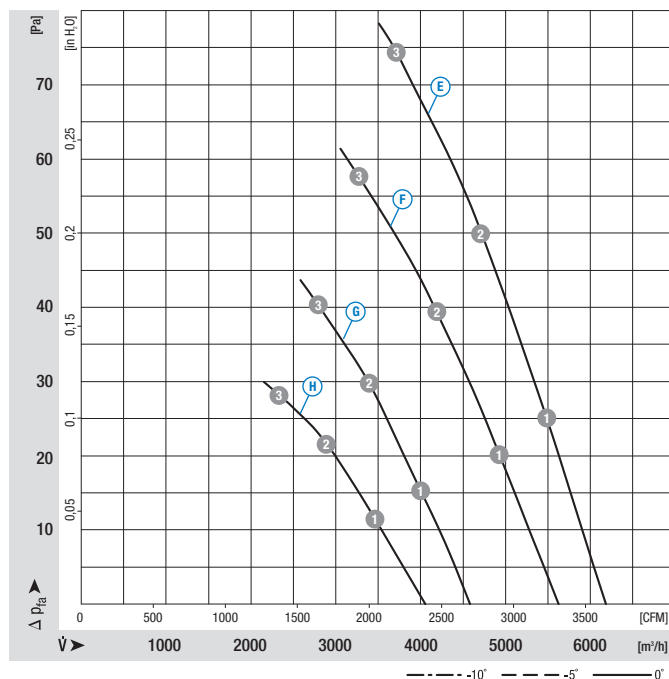
For detailed information see page 36 ff.

	n [rpm]	P ₁ [kW]	I [A]	L _{wA} [dB(A)]
A 1	1375	0,60	1,30	72
A 2	1360	0,66	1,34	71
A 3	1340	0,71	1,40	71
B 1	1135	0,43	0,71	68
B 2	1095	0,46	0,76	66
B 3	1060	0,48	0,80	65
C 1	1410	0,60	1,28	72
C 2	1400	0,66	1,34	71
C 3	1390	0,72	1,41	71
D 1	1245	0,48	0,78	70
D 2	1215	0,52	0,84	68
D 3	1180	0,55	0,95	68

- **Cable exit:** Via terminal box
- **Protection class:** I (acc. to EN 61800-5-1)
- **Product conforming to standard:** CE
- **Approvals:** VDE (acc. to EN 60034)

Direction of air flow	Direction of air flow "A" on request		
	Without attachments	With full square nozzle	With guard grille for short nozzle
"V"	A4D 500-AJ03 -01	W4D500-GJ03 -01	S4D 500-AJ03 -01
"V"	A4D 500-AM03 -01	W4D500-GM03 -01	S4D 500-AM03 -01
"V"	A6D 500-AJ03 -01	W6D500-GJ03 -01	S6D 500-AJ03 -01
"V"	A8D 500-AJ03 -01	W8D500-GJ03 -01	S8D 500-AJ03 -01

Curves



Air performance measured as per: ISO 5801, Installation category A, in ebm-papst full nozzle and without protection against accidental contact

Suction-side noise levels: L_{wA} as per ISO 13347, L_{pA} measured at 1 m distance to fan axis

The acoustic values given are only valid under the measurement conditions listed and may vary depending on the installation situation.

With any deviation to the standard setup, the specific values have to be checked and reviewed once installed or fitted!

For detailed information see page 36 ff.

	n [rpm]	P ₁ [kW]	I [A]	L _{wA} [dB(A)]
Ⓔ 1	945	0,23	0,65	64
Ⓔ 2	935	0,25	0,66	62
Ⓔ 3	930	0,27	0,69	63
Ⓕ 1	850	0,16	0,29	62
Ⓕ 2	830	0,17	0,30	59
Ⓕ 3	800	0,19	0,40	59
Ⓖ 1	700	0,13	0,37	58
Ⓖ 2	695	0,13	0,38	55
Ⓖ 3	680	0,15	0,40	54
Ⓕ 1	610	0,08	0,16	55
Ⓕ 2	590	0,08	0,16	51
Ⓕ 3	560	0,09	0,18	50

AC axial fans - HyBlade®

Ø 500



- **Material:** Guard grille: Steel, phosphated and coated in black plastic
Wall ring: Sheet steel, pre-galvanised and coated in black plastic
Blades: Pressed-on round sheet steel plate, extrusion-coated in PP plastics
Rotor: Coated in black
- **Number of blades:** 5
- **Direction of rotation:** counter-clockwise, seen on rotor
- **Type of protection:** IP 54 (acc. to EN 60529)
- **Insulation class:** "F"
- **Mounting position:** Shaft horizontal or rotor on bottom; rotor on top on request
- **Condensate discharge holes:** Rotor-side
- **Mode of operation:** Continuous operation (S1)
- **Bearings:** Maintenance-free ball bearings
- **Motor protection:** Design with thermal overload protector

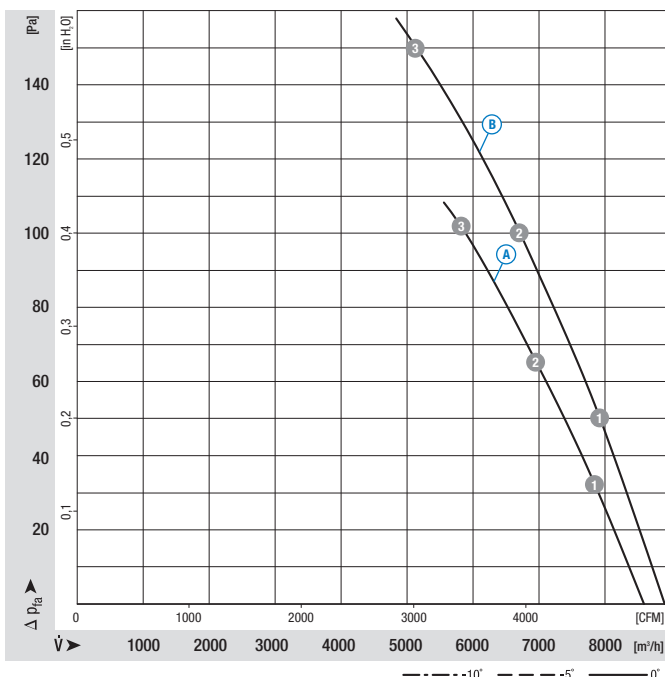
Nominal data

Type	Motor	Blade angle	Curve	Nominal voltage	Frequency	Speed/rpm ⁽¹⁾	Max. power input ⁽¹⁾	Max. current draw ⁽¹⁾	Capacitor	Max. operative range	Perm. amb. temp.	Electr. connection
				VAC	Hz	rpm	kW	A	µF/VDB	Pa	°C	p. 34
*4E 500	M4E 110-EF	0°	A	1~ 230	50	1225	0,60	2,62	10,0/400	100	-40..+55	A2b)
*4E 500	M4E 110-GF	0°	B	1~ 230	50	1300	0,68	3,00	12,0/450	150	-40..+65	A2b)
*6E 500	M6E 110-EF	0°	C	1~ 230	50	915	0,27	1,18	8,0/400	70	-40..+65	A2b)
*8E 500	M8E 110-EF	0°	D	1~ 230	50	665	0,13	0,59	3,0/400	35	-40..+65	A2b)

subject to alterations

(1) Nominal data in operating point 3 with maximum load

Curves



Air performance measured as per: ISO 5801, Installation category A, in ebm-papst full nozzle and without protection against accidental contact

Suction-side noise levels: L_{wA} as per ISO 13347, L_{pA} measured at 1 m distance to fan axis

The acoustic values given are only valid under the measurement conditions listed and may vary depending on the installation situation.

With any deviation to the standard setup, the specific values have to be checked and reviewed once installed or fitted!

For detailed information see page 36 ff.

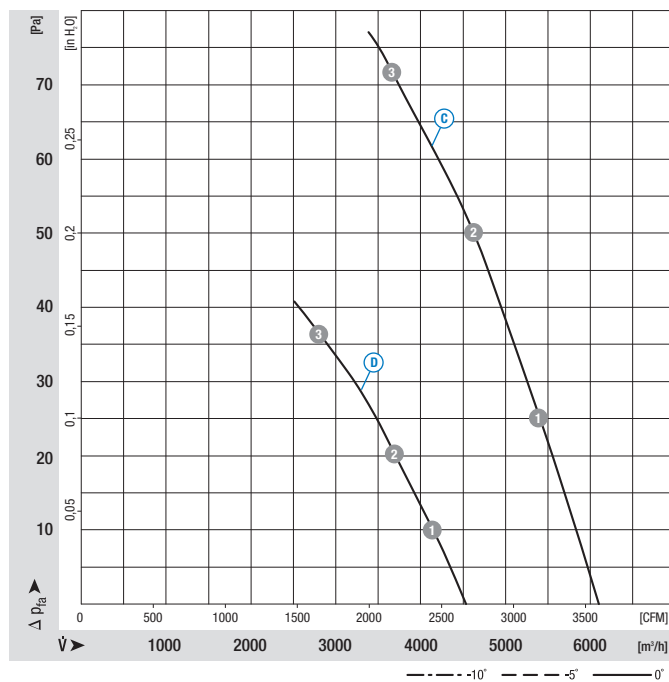
	n [rpm]	P_1 [kW]	I [A]	L_{wA} [dB(A)]
A 1	1295	0,53	2,30	71
A 2	1270	0,56	2,44	69
A 3	1225	0,60	2,62	68
B 1	1355	0,57	2,50	72
B 2	1330	0,62	2,73	70
B 3	1300	0,68	3,00	72

- **Cable exit:** Via terminal box
- **Protection class:** I (acc. to EN 61800-5-1)
- **Product conforming to standard:** CE
- **Approvals:** VDE (acc. to EN 60034)

Direction of air flow	Direction of air flow		
	Without attachments	With full square nozzle	With guard grille for short nozzle
"V"	A4E 500-AJ01 -01	W4E 500-GJ01 -01	S4E 500-AJ01 -01
"V"	A4E 500-AM03 -01	W4E 500-GM03 -01	S4E 500-AM03 -01
"V"	A6E 500-AJ03 -01	W6E 500-GJ03 -01	S6E 500-AJ03 -01
"V"	A8E 500-AJ03 -01	W8E 500-GJ03 -01	S8E 500-AJ03 -01

Direction of air flow "A" on request

Curves



Air performance measured as per: ISO 5801, Installation category A, in ebm-papst full nozzle and without protection against accidental contact

Suction-side noise levels: L_{wA} as per ISO 13347, L_{pA} measured at 1 m distance to fan axis

The acoustic values given are only valid under the measurement conditions listed and may vary depending on the installation situation.

With any deviation to the standard setup, the specific values have to be checked and reviewed once installed or fitted!

For detailed information see page 36 ff.

	n [rpm]	P ₁ [kW]	I [A]	L _{wA} [dB(A)]
Ⓒ 1	935	0,24	1,03	64
Ⓒ 2	925	0,25	1,10	62
Ⓒ 3	915	0,27	1,16	63
Ⓓ 1	690	0,11	0,54	59
Ⓓ 2	680	0,12	0,56	56
Ⓓ 3	665	0,13	0,59	54

AC axial fans - HyBlade®

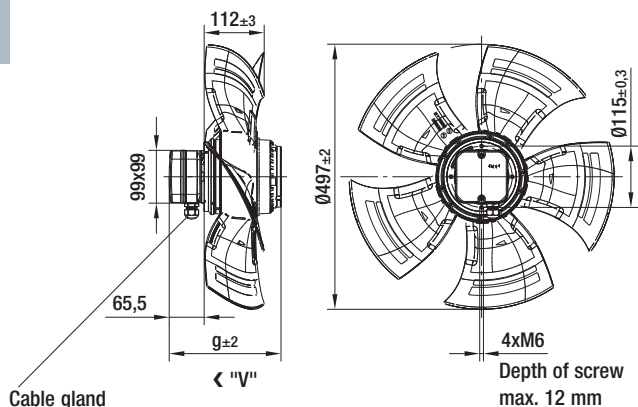
Ø 500 with motor M**110, drawings for direction of air flow "V"



Without attachments

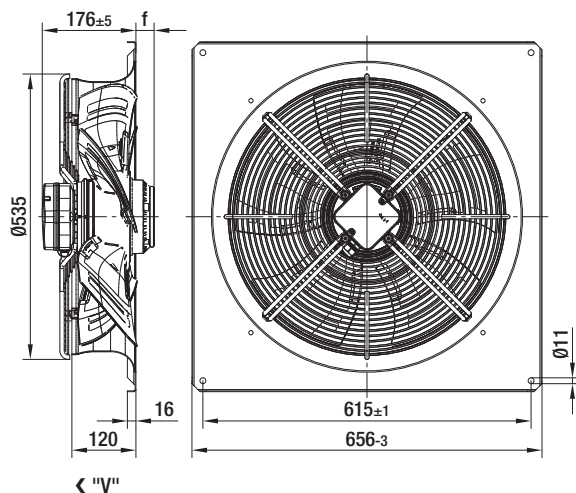
Type	Mass [kg]	g
A4D 500-AJ03 -01	8,5	189,5
A4D 500-AM03 -01	10,5	209,5
A6D 500-AJ03 -01	8,5	189,5
A8D 500-AJ03 -01	8,5	189,5
A4E 500-AJ01 -01	8,5	189,5
A4E 500-AM03 -01	10,5	209,5
A6E 500-AJ03 -01	8,5	189,5
A8E 500-AJ03 -01	8,5	189,5

Internal diameter of the wall ring at least 503 mm



With full square nozzle

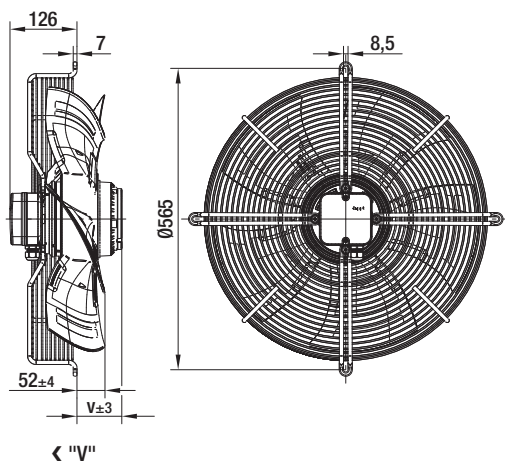
Type	Mass [kg]	f
W4D 500-GJ03 -01	16,0	13,5
W4D 500-GM03 -01	18,0	33,5
W6D 500-GJ03 -01	16,0	13,5
W8D 500-GJ03 -01	16,0	13,5
W4E 500-GJ01 -01	16,0	13,5
W4E 500-GM03 -01	18,0	33,5
W6E 500-GJ03 -01	16,0	13,5
W8E 500-GJ03 -01	16,0	13,5



With guard grille for short nozzle

Type	Mass [kg]	v
S4D 500-AJ03 -01	11,8	64,0
S4D 500-AM03 -01	13,8	84,0
S6D 500-AJ03 -01	11,8	64,0
S8D 500-AJ03 -01	11,8	64,0
S4E 500-AJ01 -01	11,8	64,0
S4E 500-AM03 -01	13,8	84,0
S6E 500-AJ03 -01	11,8	64,0
S8E 500-AJ03 -01	11,8	64,0

Internal diameter of the wall ring at least 503 mm



AC axial fans - HyBlade®

Ø 560



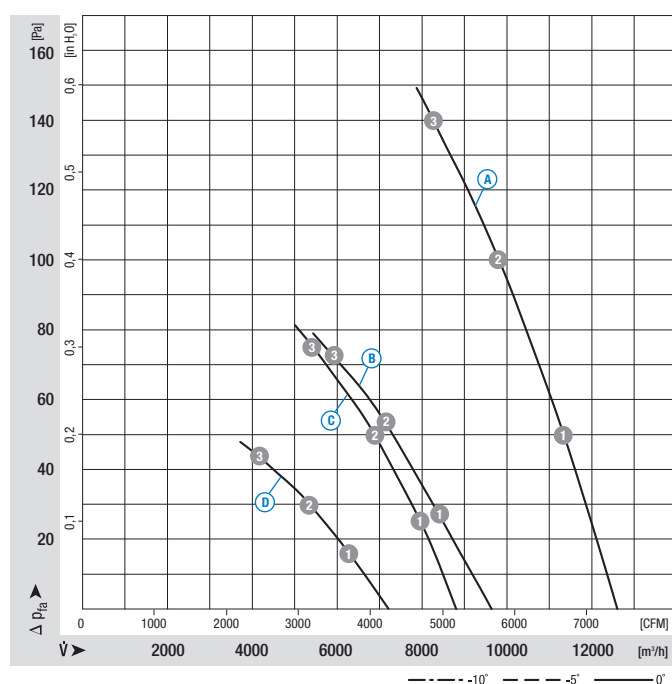
- **Material:** Guard grille: Steel, phosphated and coated in black plastic
Wall ring: Sheet steel, pre-galvanised and coated in black plastic
Blades: Insertion part made of sheet aluminium, extrusion-coated in PP plastics
Rotor: Encased in aluminium
- **Number of blades:** 5
- **Direction of rotation:** counter-clockwise, seen on rotor
- **Type of protection:** IP 54 (acc. to EN 60529)
- **Insulation class:** "F"
- **Mounting position:** Shaft horizontal or rotor on bottom; rotor on top on request
- **Condensate discharge holes:** Rotor-side
- **Mode of operation:** Continuous operation (S1)
- **Bearings:** Maintenance-free ball bearings
- **Motor protection:** Design with thermal overload protector

Nominal data		Blade angle	Curve	Nominal voltage	Frequency	Speed/rpm ⁽¹⁾	Max. power input ⁽¹⁾	Max. current draw ⁽¹⁾	Capacitor	Max. operative range	Perm. amb. temp.	Electr. connection
Type	Motor			VAC	Hz	rpm	kW	A	µF/VDB	Pa	°C	p. 34
*4D 560	M4D 110-GF	0°	A	3~ 400 Δ	50	1220	1,16	1,95	—	140	-40..+50	F1b)/F2b)
			B	3~ 400 Y	50	870	0,65	1,10	—	72	-40..+50	
*6D 560	M6D 110-EF	0°	C	3~ 400 Δ	50	870	0,45	0,88	—	75	-40..+65	F1b)/F2b)
			D	3~ 400 Y	50	660	0,28	0,48	—	43	-40..+65	
*4E 560	M4E 110-IA	-5°	E	1~ 230	50	1275	1,09	4,76	20,0/450	160	-40..+55	A2b)
*6E 560	M6E 110-EF	-5°	F	1~ 230	50	895	0,41	1,80	10,0/400	85	-40..+65	A2b)

subject to alterations

(1) Nominal data in operating point 3 with maximum load

Curves



Air performance measured as per: ISO 5801, Installation category A, in ebm-papst full nozzle and without protection against accidental contact

Suction-side noise levels: L_{wA} as per ISO 13347, L_{pA} measured at 1 m distance to fan axis

The acoustic values given are only valid under the measurement conditions listed and may vary depending on the installation situation.

With any deviation to the standard setup, the specific values have to be checked and reviewed once installed or fitted!

For detailed information see page 36 ff.

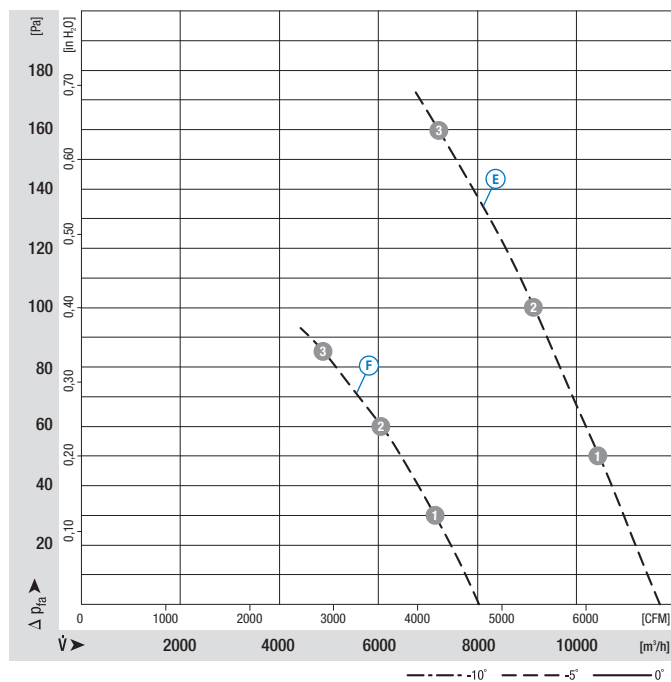
	n [rpm]	P ₁ [kW]	I [A]	L _{wA} [dB(A)]
A 1	1270	1,03	1,78	73
A 2	1250	1,09	1,87	72
A 3	1220	1,16	1,95	77
B 1	930	0,62	1,03	65
B 2	900	0,64	1,06	65
B 3	870	0,65	1,10	67
C 1	895	0,39	0,81	65
C 2	880	0,42	0,83	65
C 3	870	0,45	0,88	69
D 1	700	0,26	0,44	58
D 2	680	0,27	0,46	59
D 3	660	0,28	0,48	61

- **Cable exit:** Via terminal box
- **Protection class:** I (acc. to EN 61800-5-1)
- **Product conforming to standard:** CE
- **Approvals:** VDE (acc. to EN 60034)

Direction of air flow	Direction of air flow		
	Without attachments	With full square nozzle	With guard grille for short nozzle
"V"	A4D 560-AM03 -01	W4D 560-GM03 -01	S4D 560-AM03 -01
"V"	A6D 560-AJ03 -01	W6D 560-GJ03 -01	S6D 560-AJ03 -01
"V"	A4E 560-AQ01 -01	W4E 560-GQ01 -01	S4E 560-AQ01 -01
"V"	A6E 560-AK01 -01	W6E 560-GK01 -01	S6E 560-AK01 -01

Direction of air flow "A" on request

Curves



Air performance measured as per: ISO 5801, Installation category A, in ebm-papst full nozzle and without protection against accidental contact

Suction-side noise levels: L_{wA} as per ISO 13347, L_{pA} measured at 1 m distance to fan axis

The acoustic values given are only valid under the measurement conditions listed and may vary depending on the installation situation.

With any deviation to the standard setup, the specific values have to be checked and reviewed once installed or fitted!

For detailed information see page 36 ff.

	n [rpm]	P_1 [kW]	I [A]	L_{wA} [dB(A)]
Ⓔ ①	1340	0,95	4,15	75
Ⓔ ②	1315	1,02	4,44	73
Ⓔ ③	1275	1,09	4,76	76
Ⓕ ①	920	0,36	1,60	65
Ⓕ ②	910	0,39	1,72	65
Ⓕ ③	895	0,41	1,80	68

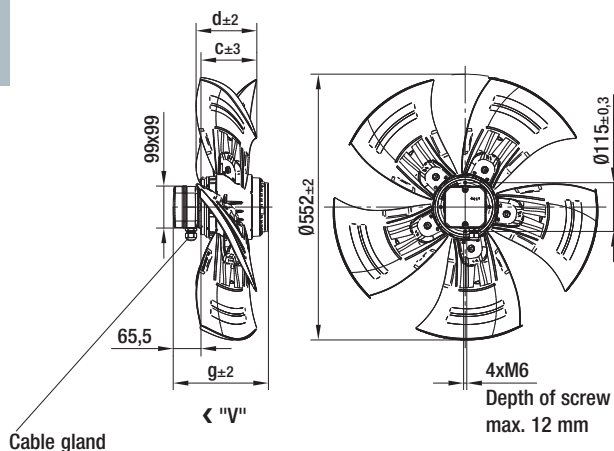
AC axial fans - HyBlade®

Ø 560 with motor M**110, drawings for direction of air flow "V"



Without attachments

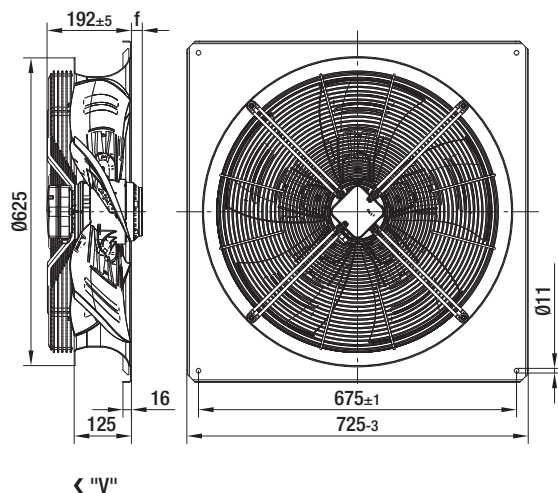
Type	Mass [kg]	c	d	g
A4D 560-AM03 -01	10,5	124,0	134,0	209,5
A6D 560-AJ03 -01	8,5	124,0	134,0	189,5
A4E 560-AQ01 -01	12,5	113,0	115,0	224,5
A6E 560-AK01 -01	8,5	113,0	115,0	189,5



Internal diameter of the wall ring at least 559 mm

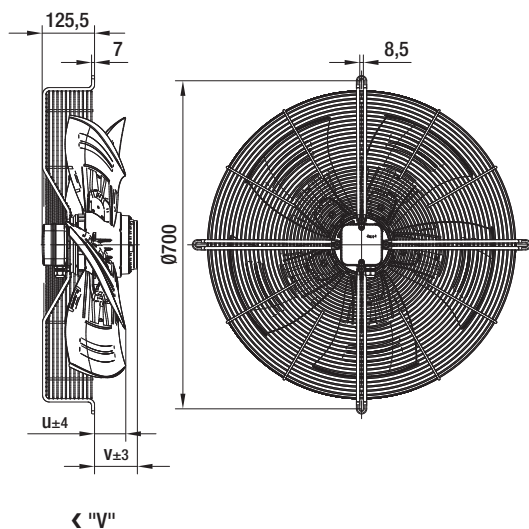
With full square nozzle

Type	Mass [kg]	f
W4D 560-GM03 -01	24,0	17,5
W6D 560-GJ03 -01	22,0	---
W4E 560-GQ01 -01	26,0	32,5
W6E 560-GK01 -01	22,0	---



With guard grille for short nozzle

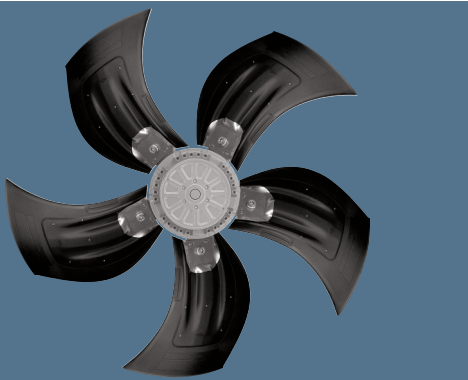
Type	Mass [kg]	u	v
S4D 560-AM03 -01	15,0	88,0	108,0
S6D 560-AJ03 -01	13,0	88,0	88,0
S4E 560-AQ01 -01	17,0	77,0	123,0
S6E 560-AK01 -01	13,0	77,0	88,0



Internal diameter of the wall ring at least 559 mm

AC axial fans - HyBlade®

Ø 630



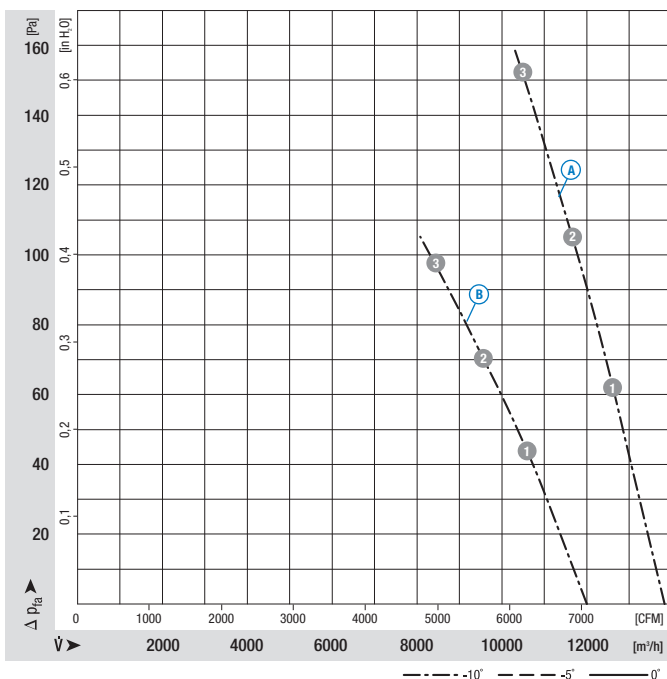
- **Material:** Guard grille: Steel, phosphated and coated in black plastic
Wall ring: Sheet steel, pre-galvanised and coated in black plastic
Blades: Insertion part made of sheet aluminium, extrusion-coated in PP plastics
Rotor: Encased in aluminium
- **Number of blades:** 5
- **Direction of rotation:** (A) (B) counter-clockwise, (C) (D) (E) (F) clockwise, seen on rotor
- **Type of protection:** IP 54 (acc. to EN 60529)
- **Insulation class:** "F"
- **Mounting position:** Shaft horizontal or rotor on bottom; rotor on top on request
- **Condensate discharge holes:** Rotor-side
- **Mode of operation:** Continuous operation (S1)
- **Bearings:** Maintenance-free ball bearings
- **Motor protection:** Design with thermal overload protector

Nominal data		Blade angle	Curve	Nominal voltage	Frequency	Speed/rpm ⁽¹⁾	Max. power input ⁽¹⁾	Max. current draw ⁽¹⁾	Capacitor	Max. operative range	Perm. amb. temp.	Electr. connection
Type	Motor			VAC	Hz	rpm	kW	A	µF/VDB	Pa	°C	p. 34
*4D 630	M4D 110-IA	-10°	(A)	3~400 Δ	50	1330	1,25	2,48	—	150	-40..+55	F1b)/F2b)
			(B)	3~400 Y	50	1070	0,84	1,42	—	100	-40..+55	
*4D 630	M4D 138-LA	0°	(C)	3~400 Δ	50	1320	2,63	4,78	—	220	-40..+60	F1b)/F2b)
			(D)	3~400 Y	50	1050	1,75	2,95	—	140	-40..+60	
*4D 630	M4D 138-HF	-5°	(E)	3~400 Δ	50	1310	1,97	3,40	—	200	-40..+60	F1b)/F2b)
			(F)	3~400 Y	50	1000	1,29	2,10	—	115	-40..+60	

subject to alterations

(1) Nominal data in operating point (3) with maximum load

Curves



Air performance measured as per: ISO 5801, Installation category A, in ebm-papst full nozzle and without protection against accidental contact

Suction-side noise levels: L_{wA} as per ISO 13347, L_{pA} measured at 1 m distance to fan axis

The acoustic values given are only valid under the measurement conditions listed and may vary depending on the installation situation.

With any deviation to the standard setup, the specific values have to be checked and reviewed once installed or fitted!

For detailed information see page 36 ff.

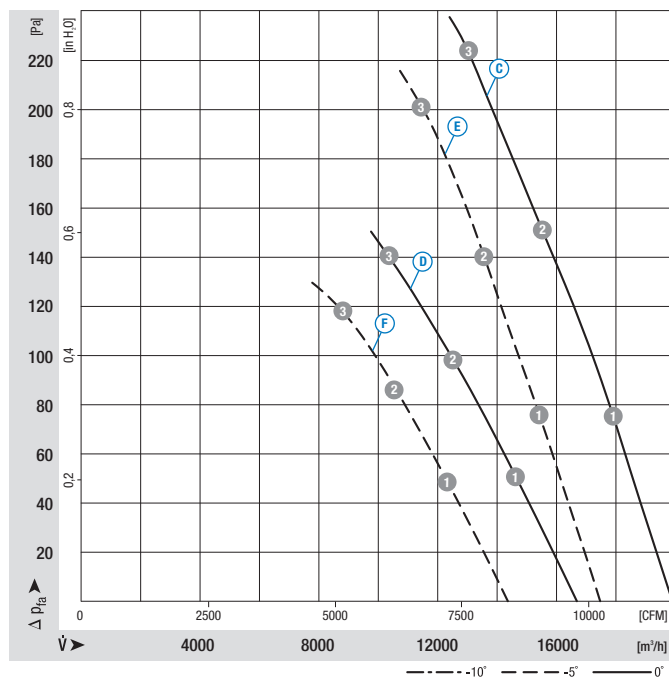
	n [rpm]	P ₁ [kW]	I [A]	L _{wA} [dB(A)]
(A) 1	1370	1,03	2,21	77
(A) 2	1355	1,14	2,32	75
(A) 3	1330	1,25	2,48	75
(B) 1	1140	0,74	1,23	72
(B) 2	1105	0,78	1,31	71
(B) 3	1070	0,84	1,42	70

- **Cable exit:** Via terminal box
- **Protection class:** I (acc. to EN 61800-5-1)
- **Product conforming to standard:** CE
- **Approvals:** VDE (acc. to EN 60034)

Direction of air flow	Direction of air flow "V"		
	Without attachments	With full square nozzle	With guard grille for short nozzle
"V"	A4D 630-AR01 -01	W4D 630-GR01 -01	S4D 630-AR01 -01
"V"	A4D 630-AD01 -01	W4D 630-GD01 -01	S4D 630-AD01 -01
"V"	A4D 630-AH01 -01	W4D 630-GH01 -01	S4D 630-AH01 -01

Direction of air flow "A" on request

Curves



Air performance measured as per: ISO 5801, Installation category A, in ebm-papst full nozzle and without protection against accidental contact

Suction-side noise levels: L_{wA} as per ISO 13347, L_{pA} measured at 1 m distance to fan axis

The acoustic values given are only valid under the measurement conditions listed and may vary depending on the installation situation.

With any deviation to the standard setup, the specific values have to be checked and reviewed once installed or fitted!

For detailed information see page 36 ff.

	n [rpm]	P_1 [kW]	I [A]	L_{wA} [dB(A)]
Ⓒ 1	1360	2,30	4,29	78
Ⓒ 2	1345	2,47	4,56	77
Ⓒ 3	1320	2,63	4,78	80
Ⓓ 1	1115	1,62	2,71	72
Ⓓ 2	1080	1,68	2,83	72
Ⓓ 3	1050	1,75	2,95	74
Ⓔ 1	1345	1,68	2,94	75
Ⓔ 2	1325	1,83	3,18	75
Ⓔ 3	1310	1,97	3,40	78
Ⓕ 1	1075	1,18	1,97	70
Ⓕ 2	1035	1,24	2,08	68
Ⓕ 3	1000	1,29	2,10	70

AC axial fans - HyBlade®

Ø 630



- **Material:** Guard grille: Steel, phosphated and coated in black plastic
Wall ring: Sheet steel, pre-galvanised and coated in black plastic
Blades: Pressed-on round sheet steel plate, extrusion-coated in PP plastics
Rotor: Coated in black
- **Number of blades:** 5
- **Direction of rotation:** counter-clockwise, seen on rotor
- **Type of protection:** IP 54 (acc. to EN 60529)
- **Insulation class:** "F"
- **Mounting position:** Shaft horizontal or rotor on bottom; rotor on top on request
- **Condensate discharge holes:** Rotor-side
- **Mode of operation:** Continuous operation (S1)
- **Bearings:** Maintenance-free ball bearings
- **Motor protection:** Design with thermal overload protector

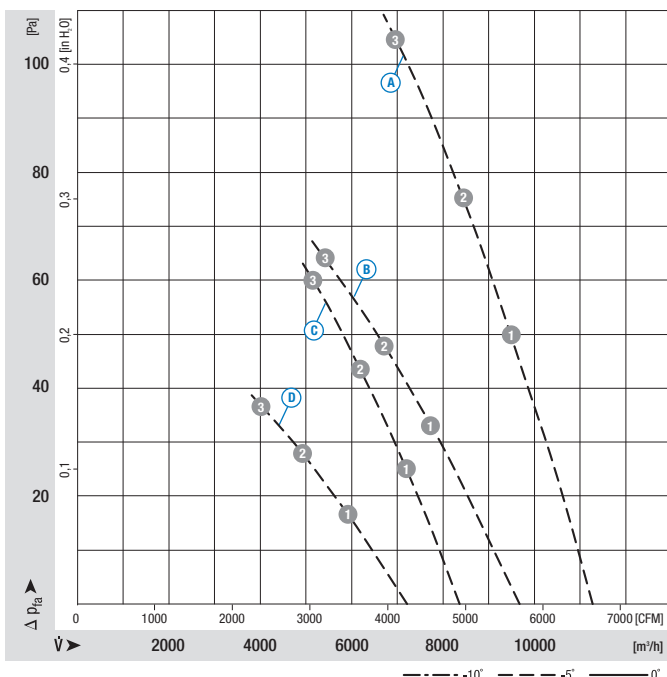
Nominal data

Type	Motor	Blade angle	Curve	Nominal voltage	Frequency	Speed/rpm ⁽¹⁾	Max. power input ⁽¹⁾	Max. current draw ⁽¹⁾	Capacitor	Max. operative range	Perm. amb. temp.	Electr. connection
				VAC	Hz	rpm	kW	A	µF/VDB	Pa	°C	p. 34
*6D 630	M6D 110-GF	-5°	A	3~ 400 Δ	50	890	0,60	1,20	—	105	-40..+65	F1b)/F2b)
			B	3~ 400 Y	50	690	0,40	0,68	—	56	-40..+65	
*8D 630	M8D 110-GF	-5°	C	3~ 400 Δ	50	660	0,33	0,83	—	60	-40..+65	F1b)/F2b)
			D	3~ 400 Y	50	520	0,19	0,39	—	36	-40..+65	
*6E 630	M6E 110-GF	-5°	E	1~ 230	50	860	0,60	2,62	14,0/400	100	-40..+55	A2b)
*8E 630	M8E 110-GF	-5°	F	1~ 230	50	670	0,34	1,72	7,0/450	60	-40..+65	A2b)

subject to alterations

(1) Nominal data in operating point 3 with maximum load

Curves



Air performance measured as per: ISO 5801, Installation category A, in ebm-papst full nozzle and without protection against accidental contact

Suction-side noise levels: L_{wA} as per ISO 13347, L_{pA} measured at 1 m distance to fan axis

The acoustic values given are only valid under the measurement conditions listed and may vary depending on the installation situation.

With any deviation to the standard setup, the specific values have to be checked and reviewed once installed or fitted!

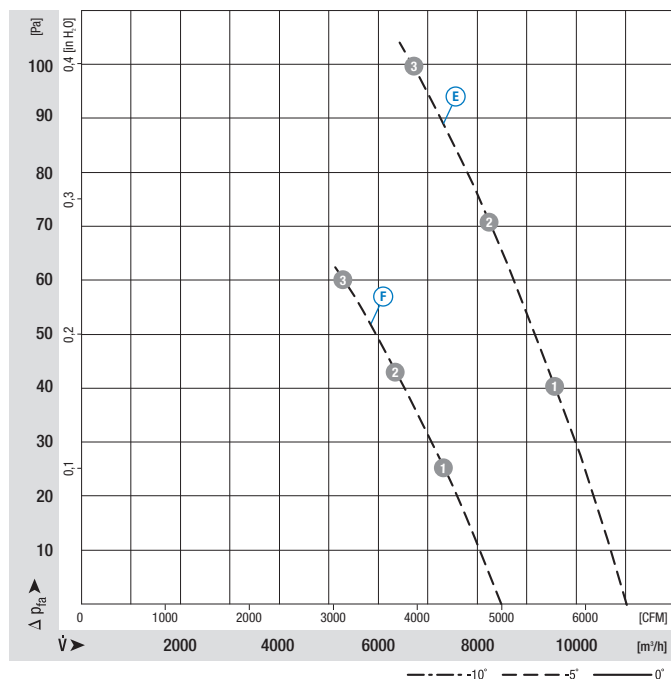
For detailed information see page 36 ff.

	n [rpm]	P ₁ [kW]	I [A]	L _{wA} [dB(A)]
A 1	905	0,53	1,15	66
A 2	895	0,57	1,19	65
A 3	890	0,60	1,20	67
B 1	730	0,36	0,63	61
B 2	705	0,38	0,66	60
B 3	690	0,40	0,68	61
C 1	685	0,29	0,81	60
C 2	675	0,31	0,82	60
C 3	660	0,33	0,83	61
D 1	560	0,18	0,35	56
D 2	535	0,19	0,37	55
D 3	520	0,19	0,39	55

- **Cable exit:** Via terminal box
- **Protection class:** I (acc. to EN 61800-5-1)
- **Product conforming to standard:** CE
- **Approvals:** VDE (acc. to EN 60034)

Direction of air flow	Direction of air flow "A" on request		
	Without attachments	With full square nozzle	With guard grille for short nozzle
"V"	A6D 630-AN01 -01	W6D 630-GN01 -01	S6D 630-AN01 -01
"V"	A8D 630-AN01 -01	W8D 630-GN01 -01	S8D 630-AN01 -01
"V"	A6E 630-AN01 -01	W6E 630-GN01 -01	S6E 630-AN01 -01
"V"	A8E 630-AN01 -01	W8E 630-GN01 -01	S8E 630-AN01 -01

Curves



Air performance measured as per: ISO 5801, Installation category A, in ebm-papst full nozzle and without protection against accidental contact

Suction-side noise levels: L_{wA} as per ISO 13347, L_{pA} measured at 1 m distance to fan axis

The acoustic values given are only valid under the measurement conditions listed and may vary depending on the installation situation.

With any deviation to the standard setup, the specific values have to be checked and reviewed once installed or fitted!

For detailed information see page 36 ff.

	n [rpm]	P ₁ [kW]	I [A]	L _{wA} [dB(A)]
Ⓔ 1	905	0,52	2,27	67
Ⓔ 2	885	0,56	2,44	66
Ⓔ 3	860	0,60	2,62	68
Ⓕ 1	690	0,31	1,60	62
Ⓕ 2	680	0,32	1,65	61
Ⓕ 3	670	0,34	1,72	62

AC axial fans - HyBlade®

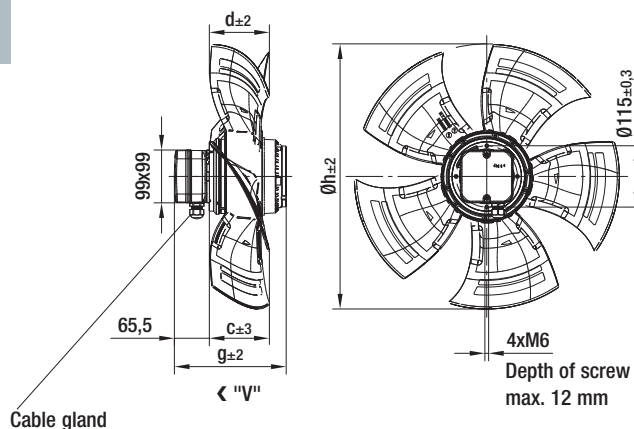
Ø 630 with motor M**110, drawings for direction of air flow "V"



Without attachments

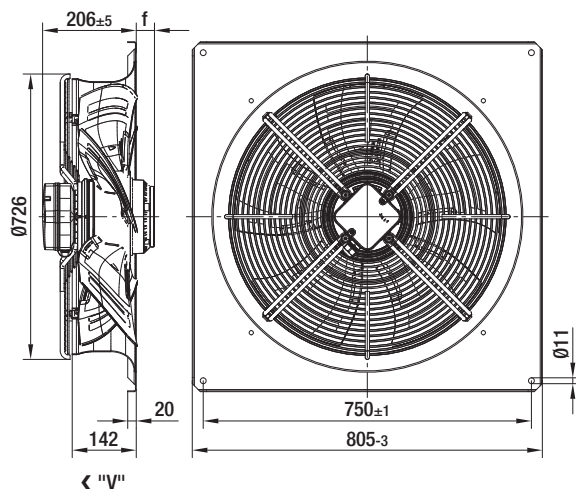
Type	Mass [kg]	c	d	g	h
A4D 630-AR01 -01	14,0	104,0	98,0	224,5	627,0
A6D 630-AN01 -01	12,5	118,0	123,0	209,5	626,0
A8D 630-AN01 -01	12,5	118,0	123,0	209,5	626,0
A6E 630-AN01 -01	12,5	118,0	123,0	209,5	626,0
A8E 630-AN01 -01	12,5	118,0	123,0	209,5	626,0

Internal diameter of the wall ring at least 634 mm



With full square nozzle

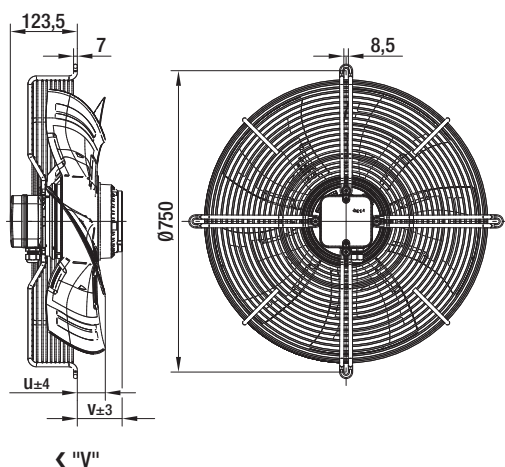
Type	Mass [kg]	f
W4D 630-GR01 -01	28,9	23,5
W6D 630-GN01 -01	27,4	3,5
W8D 630-GN01 -01	27,4	3,5
W6E 630-GN01 -01	27,4	3,5
W8E 630-GN01 -01	27,4	3,5



With guard grille for short nozzle

Type	Mass [kg]	u	v
S4D 630-AR01 -01	19,2	46,0	101,0
S6D 630-AN01 -01	17,7	60,0	86,0
S8D 630-AN01 -01	17,7	60,0	86,0
S6E 630-AN01 -01	17,7	60,0	86,0
S8E 630-AN01 -01	17,7	60,0	86,0

Internal diameter of the wall ring at least 634 mm



AC axial fans - HyBlade®

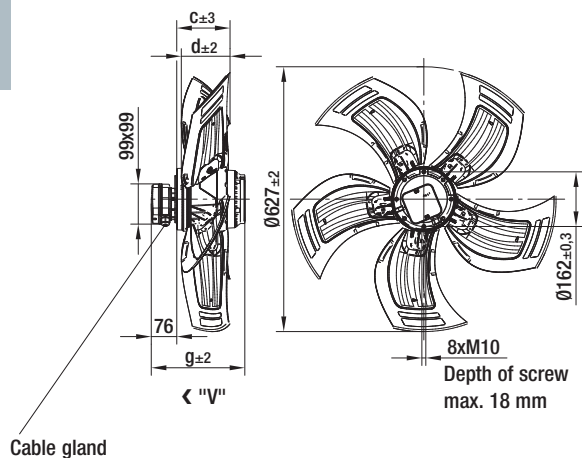
Ø 630 with motor M4D138, drawings for direction of air flow "V"



Without attachments

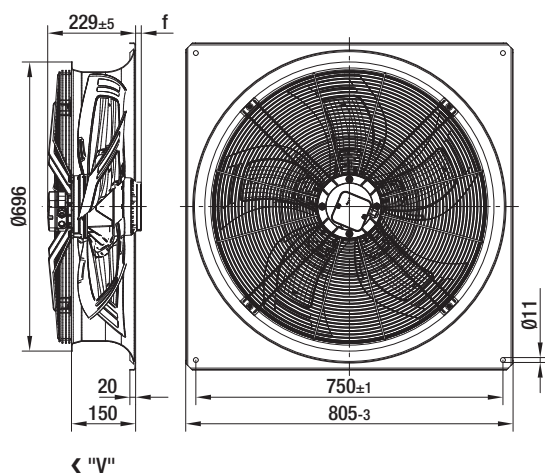
Type	Mass [kg]	c	d	g
A4D 630-AD01 -01	22,3	154,0	144,0	277,0
A4D 630-AH01 -01	18,3	149,0	130,0	252,0

Internal diameter of the wall ring at least 634 mm



With full square nozzle

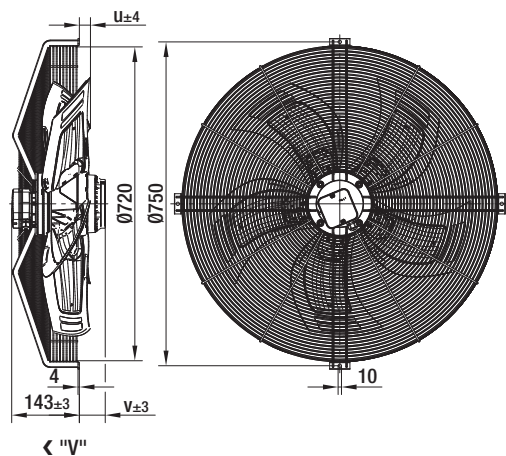
Type	Mass [kg]	f
W4D 630-GD01 -01	38,2	48,0
W4D 630-GH01 -01	34,2	23,0



With guard grille for short nozzle

Type	Mass [kg]	u	v
S4D 630-AD01 -01	28,5	87,0	134,0
S4D 630-AH01 -01	24,5	82,0	109,0

Internal diameter of the wall ring at least 634 mm



AC axial fans - HyBlade®

Ø 710



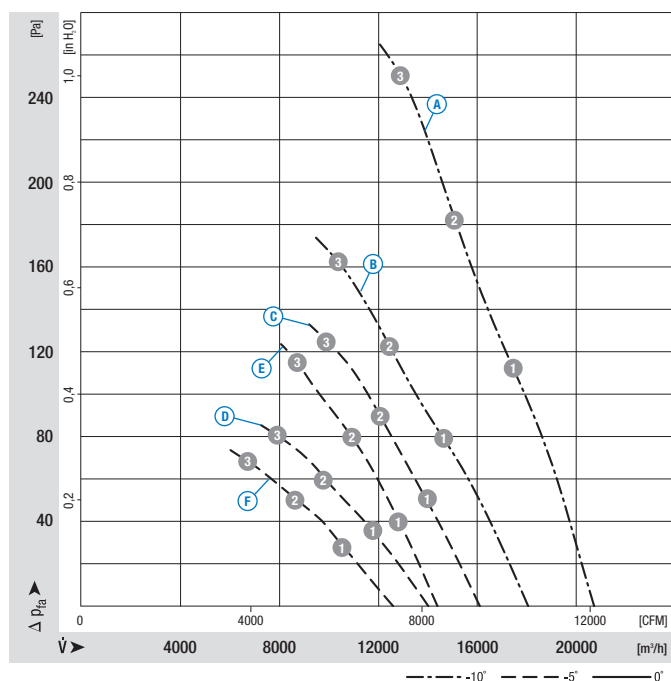
- **Material:** Guard grille: Steel, phosphated and coated in black plastic
Wall ring: Sheet steel, pre-galvanised and coated in black plastic
Blades: Insertion part made of sheet aluminium, extrusion-coated in PP plastics
Rotor: Encased in aluminium
- **Number of blades:** 5
- **Direction of rotation:** E F G counter-clockwise, A B C D clockwise, seen on rotor
- **Type of protection:** IP 54 (acc. to EN 60529)
- **Insulation class:** "F"
- **Mounting position:** Shaft horizontal or rotor on bottom; rotor on top on request
- **Condensate discharge holes:** Rotor-side
- **Mode of operation:** Continuous operation (S1)
- **Bearings:** Maintenance-free ball bearings
- **Motor protection:** Design with thermal overload protector

Nominal data		Blade angle	Curve	Nominal voltage	Frequency	Speed/rpm ⁽¹⁾	Max. power input ⁽¹⁾	Max. current draw ⁽¹⁾	Capacitor	Max. operative range	Perm. amb. temp.	Electr. connection
Type	Motor			VAC	Hz	rpm	kW	A	µF/VDB	Pa	°C	p. 34
*4D 710	M4D 138-LA	-10°	A	3~400 Δ	50	1350	2,38	4,50	—	250	-40..+60	F1b)/F2b)
			B	3~400 Y	50	1095	1,66	2,76	—	160	-40..+60	
*6D 710	M6D 138-HF	-5°	C	3~400 Δ	50	905	1,03	2,35	—	125	-40..+65	F1b)/F2b)
			D	3~400 Y	50	730	0,69	1,34	—	80	-40..+65	
*6D 710	M6D 110-IA	-5°	E	3~400 Δ	50	880	0,84	1,74	—	115	-40..+50	F1b)/F2b)
			F	3~400 Y	50	670	0,53	0,94	—	68	-40..+50	
*6E 710	M6E 110-IA	-10°	G	1~230	50	900	0,63	2,79	14,0/450	105	-40..+65	A2b)

subject to alterations

(1) Nominal data in operating point 3 with maximum load

Curves



Air performance measured as per: ISO 5801, Installation category A, in ebm-papst full nozzle and without protection against accidental contact

Suction-side noise levels: L_{wA} as per ISO 13347, L_{pA} measured at 1 m distance to fan axis

The acoustic values given are only valid under the measurement conditions listed and may vary depending on the installation situation.

With any deviation to the standard setup, the specific values have to be checked and reviewed once installed or fitted!

For detailed information see page 36 ff.

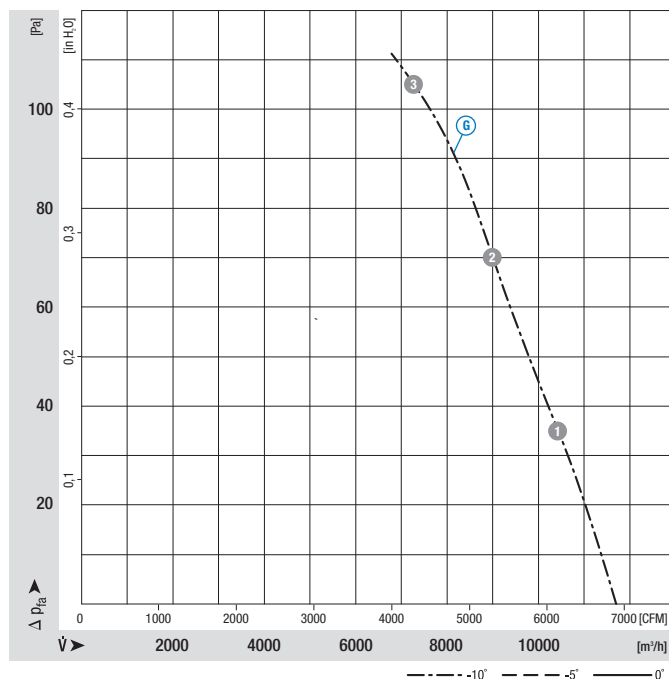
	n [rpm]	P ₁ [kW]	I [A]	L _{wA} [dB(A)]
A 1	1380	2,00	3,92	81
A 2	1365	2,23	4,24	83
A 3	1350	2,38	4,50	86
B 1	1165	1,47	2,50	76
B 2	1125	1,59	2,71	78
B 3	1095	1,66	2,76	81
C 1	925	0,86	2,18	69
C 2	915	0,94	2,26	70
C 3	905	1,03	2,35	73
D 1	780	0,62	1,19	65
D 2	755	0,66	1,27	65
D 3	730	0,69	1,34	68
E 1	915	0,63	1,52	70
E 2	895	0,74	1,63	68
E 3	880	0,84	1,74	71
F 1	755	0,43	0,77	65
F 2	710	0,48	0,85	63
F 3	670	0,53	0,94	65

- **Cable exit:** Via terminal box
- **Protection class:** I (acc. to EN 61800-5-1)
- **Product conforming to standard:** CE
- **Approvals:** VDE (acc. to EN 60034)

Direction of air flow	Direction of air flow "V"		
	Without attachments	With full square nozzle	With guard grille for short nozzle
"V"	A4D 710-AF01 -01	W4D 710-GF01 -01	S4D 710-AF01 -01
"V"	A6D 710-AH01 -01	W6D 710-GH01 -01	S6D 710-AH01 -01
"V"	A6D 710-AQ01 -01	W6D 710-GQ01 -01	S6D 710-AQ01 -01
"V"	A6E 710-AR03 -01	W6E 710-GR03 -01	S6E 710-AR03 -01

Direction of air flow "A" on request

Curves



Air performance measured as per: ISO 5801, Installation category A, in ebm-papst full nozzle and without protection against accidental contact

Suction-side noise levels: L_{wA} as per ISO 13347, L_{pA} measured at 1 m distance to fan axis

The acoustic values given are only valid under the measurement conditions listed and may vary depending on the installation situation.

With any deviation to the standard setup, the specific values have to be checked and reviewed once installed or fitted!

For detailed information see page 36 ff.

	n [rpm]	P ₁ [kW]	I [A]	L _{wA} [dB(A)]
①	935	0,50	2,24	73
②	920	0,56	2,51	73
③	900	0,63	2,79	77

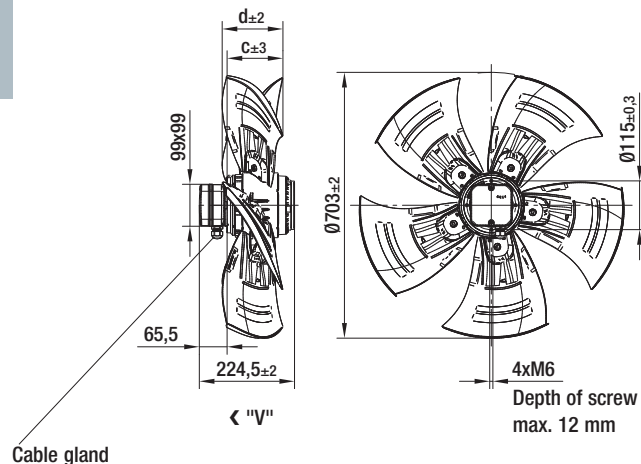
AC axial fans - HyBlade®

Ø 710 with motor M**110, drawings for direction of air flow "V"



Without attachments

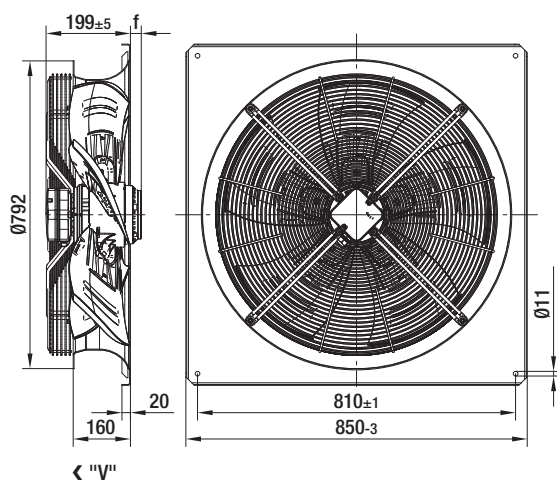
Type	Mass [kg]	c	d
A6D 710-AQ01 -01	14,0	118,0	113,0
A6E 710-AR03 -01	14,0	111,0	96,0



Internal diameter of the wall ring at least 710 mm

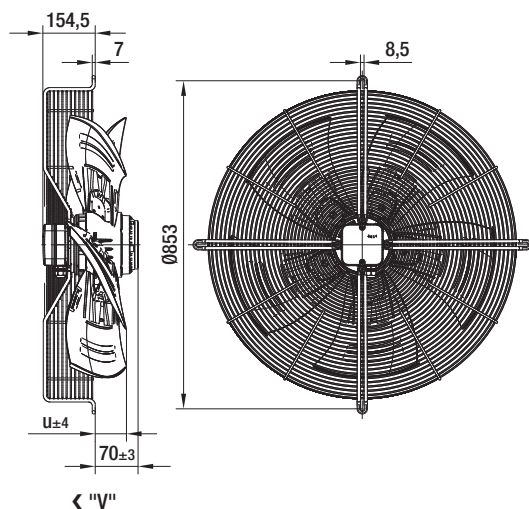
With full square nozzle

Type	Mass [kg]	f
W6D 710-GQ01 -01	29,9	25,5
W6E 710-GR03 -01	29,9	25,5



With guard grille for short nozzle

Type	Mass [kg]	u
S6D 710-AQ01 -01	20,5	29,0
S6E 710-AR03 -01	20,5	22,0



Internal diameter of the wall ring at least 710 mm

AC axial fans - HyBlade®

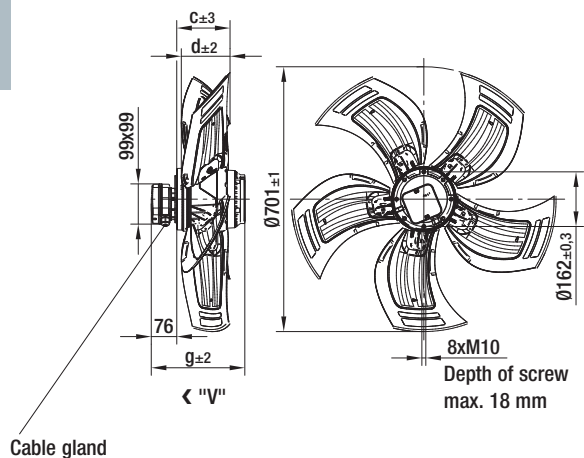
Ø 710 with motor M*D138, drawings for direction of air flow "V"



Without attachments

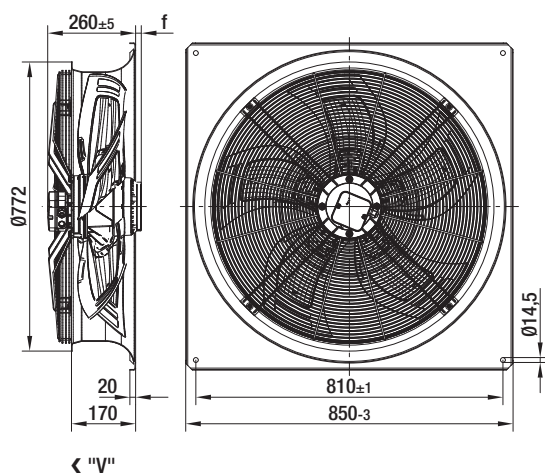
Type	Mass [kg]	c	d	g
A4D 710-AF01 -01	22,6	142,0	110,0	277,0
A6D 710-AH01 -01	18,8	148,0	126,0	252,0

Internal diameter of the wall ring at least 710 mm



With full square nozzle

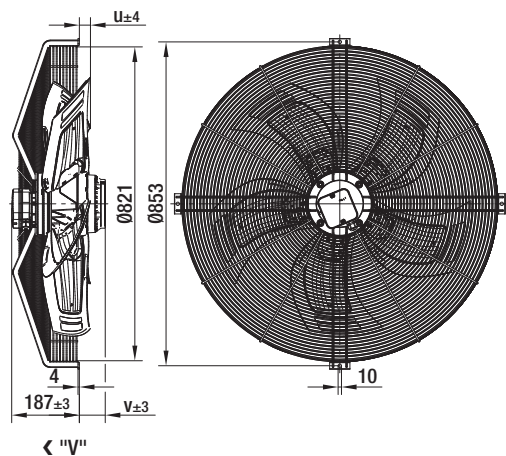
Type	Mass [kg]	f
W4D 710-GF01 -01	39,9	17,0
W6D 710-GH01 -01	36,7	---



With guard grille for short nozzle

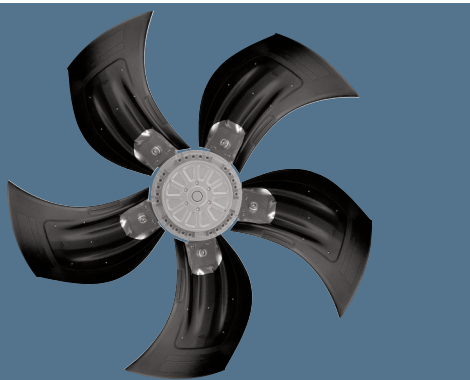
Type	Mass [kg]	u	v
S4D 710-AF01 -01	30,5	31,0	90,0
S6D 710-AH01 -01	26,6	37,0	65,0

Internal diameter of the wall ring at least 710 mm



AC axial fans - HyBlade®

Ø 800



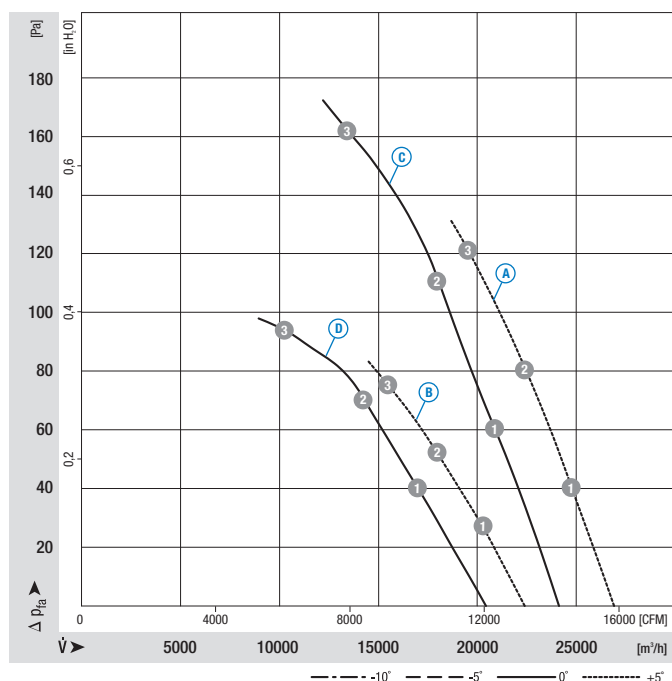
- **Material:** Guard grille: Steel, phosphated and coated in black plastic
Wall ring: Sheet steel, pre-galvanised and coated in black plastic
Blades: Insertion part made of sheet aluminium, extrusion-coated in PP plastics
Rotor: Encased in aluminium
- **Number of blades:** 5
- **Direction of rotation:** clockwise, seen on rotor
- **Type of protection:** IP 54 (acc. to EN 60529)
- **Insulation class:** "F"
- **Mounting position:** Shaft horizontal or rotor on bottom; rotor on top on request
- **Condensate discharge holes:** Rotor-side
- **Mode of operation:** Continuous operation (S1)
- **Bearings:** Maintenance-free ball bearings
- **Motor protection:** Design with thermal overload protector

Nominal data		Blade angle	Curve	Nominal voltage	Frequency	Speed/rpm ⁽¹⁾	Max. power input ⁽¹⁾	Max. current draw ⁽¹⁾	Capacitor	Max. operative range	Perm. amb. temp.	Electr. connection
Type	Motor			VAC	Hz	rpm	kW	A	µF/VDB	Pa	°C	p. 34
*6D 800	M6D 138-NA	+5°	A	3~400 Δ	50	900	2,33	4,85	—	120	-40..+50	F1b)/F2b)
			B	3~400 Y	50	700	1,59	2,87	—	75	-40..+50	
*6D 800	M6D 138-LA	0°	C	3~400 Δ	50	880	1,94	3,90	—	160	-40..+60	F1b)/F2b)
			D	3~400 Y	50	670	1,21	2,23	—	92	-40..+60	
*8D 800	M8D 138-LA	0°	E	3~400 Δ	50	660	0,99	2,37	—	105	-40..+65	F1b)/F2b)
			F	3~400 Y	50	485	0,58	1,21	—	54	-40..+65	
*ZD 800	MZD 138-HF	0°	G	3~400 Δ	50	435	0,36	1,12	—	40	-40..+65	F1b)/F2b)
			H	3~400 Y	50	340	0,20	0,47	—	23	-40..+65	

subject to alterations

(1) Nominal data in operating point 3 with maximum load

Curves



Air performance measured as per: ISO 5801, Installation category A, in ebm-papst full nozzle and without protection against accidental contact

Suction-side noise levels: L_{wA} as per ISO 13347, L_{pA} measured at 1 m distance to fan axis

The acoustic values given are only valid under the measurement conditions listed and may vary depending on the installation situation.

With any deviation to the standard setup, the specific values have to be checked and reviewed once installed or fitted!

For detailed information see page 36 ff.

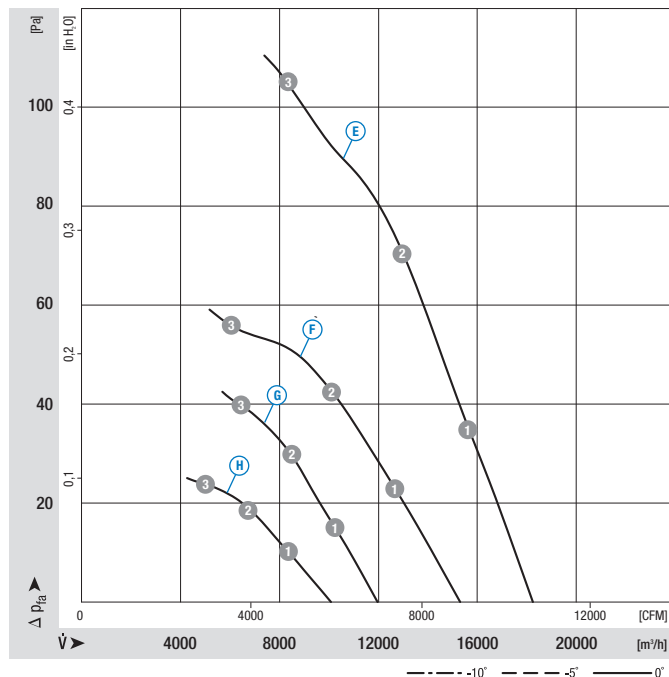
	n [rpm]	P ₁ [kW]	I [A]	L _{wA} [dB(A)]
A 1	920	1,99	4,59	74
A 2	910	2,10	4,69	74
A 3	900	2,33	4,85	76
B 1	750	1,39	2,58	69
B 2	735	1,44	2,68	69
B 3	700	1,59	2,87	70
C 1	910	1,58	3,44	72
C 2	900	1,72	3,60	73
C 3	880	1,94	3,90	77
D 1	740	1,08	1,98	66
D 2	710	1,13	2,08	67
D 3	670	1,21	2,23	70

- **Cable exit:** Via terminal box
- **Protection class:** I (acc. to EN 61800-5-1)
- **Product conforming to standard:** CE
- **Approvals:** VDE (acc. to EN 60034)

Direction of air flow	Direction of air flow "V"		
	Without attachments	With full square nozzle	With guard grille for full nozzle
"V"	A6D 800-AU01 -01	W6D 800-GU01 -01	S6D 800-CU01 -01
"V"	A6D 800-AD01 -01	W6D 800-GD01 -01	S6D 800-CD01 -01
"V"	A8D 800-AD01 -01	W8D 800-GD01 -01	S8D 800-CD01 -01
"V"	AZD 800-AG03 -01	WZD 800-GG03 -01	SZD 800-CG03 -01

Direction of air flow "A" on request

Curves



Air performance measured as per: ISO 5801, Installation category A, in ebm-papst full nozzle and without protection against accidental contact

Suction-side noise levels: L_{wA} as per ISO 13347, L_{pA} measured at 1 m distance to fan axis

The acoustic values given are only valid under the measurement conditions listed and may vary depending on the installation situation.

With any deviation to the standard setup, the specific values have to be checked and reviewed once installed or fitted!

For detailed information see page 36 ff.

	n [rpm]	P ₁ [kW]	I [A]	L _{wA} [dB(A)]
Ⓔ 1	685	0,77	2,10	65
Ⓔ 2	675	0,85	2,20	66
Ⓔ 3	660	0,99	2,37	74
Ⓕ 1	555	0,51	1,07	60
Ⓕ 2	530	0,53	1,12	60
Ⓕ 3	485	0,58	1,21	66
Ⓖ 1	450	0,32	1,09	55
Ⓖ 2	445	0,34	1,10	55
Ⓖ 3	435	0,36	1,12	59
Ⓗ 1	365	0,18	0,43	51
Ⓗ 2	355	0,19	0,45	49
Ⓗ 3	340	0,20	0,47	52

AC axial fans - HyBlade®

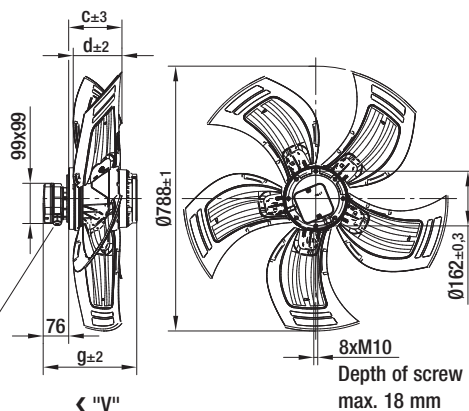
Ø 800 with motor M*D138, drawings for direction of air flow "V"



Without attachments

Type	Mass [kg]	c	d	g
A6D 800-AU01 -01	26,5	172,0	171,0	297,0
A6D 800-AD01 -01	23,0	159,0	149,0	277,0
A8D 800-AD01 -01	23,0	159,0	149,0	277,0
AZD 800-AG03 -01	19,0	159,0	149,0	252,0

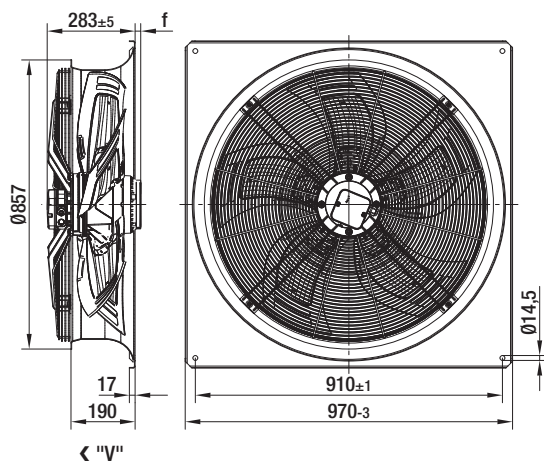
Internal diameter of the wall ring at least 795 mm



Cable gland

With full square nozzle

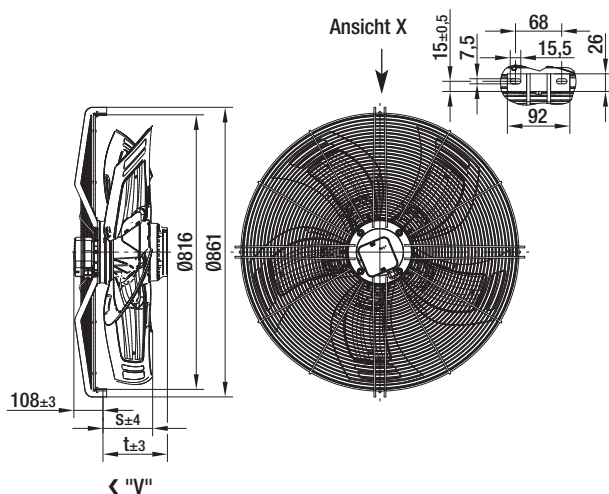
Type	Mass [kg]	f
W6D 800-GU01 -01	46,6	36,0
W6D 800-GD01 -01	44,2	---
W8D 800-GD01 -01	44,2	---
WZD 800-GG03 -01	40,2	---



With guard grille for full nozzle

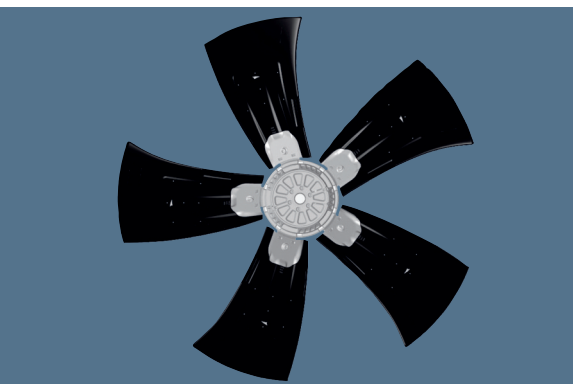
Type	Mass [kg]	s	t
S6D 800-CU01 -01	33,3	162,0	211,0
S6D 800-CD01 -01	30,1	127,0	169,0
S8D 800-CD01 -01	30,1	127,0	169,0
SZD 800-CG03 -01	26,2	127,0	144,0

Internal diameter of the wall ring at least 795 mm



AC axial fans - HyBlade®

Ø 910



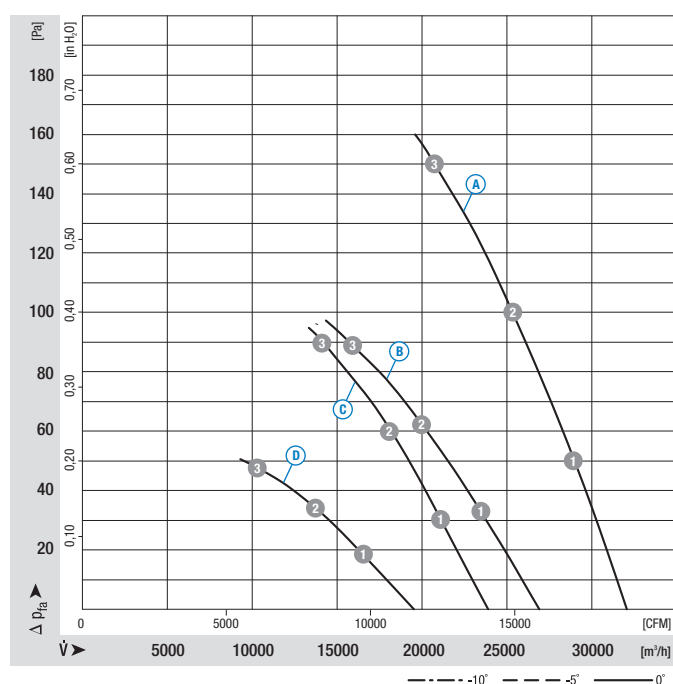
- **Material:** Guard grille: Steel, phosphated and coated in black plastic
Wall ring: Sheet steel, pre-galvanised and coated in black plastic
Blades: Insertion part made of sheet aluminium, extrusion-coated in PP plastics
Rotor: Encased in aluminium
- **Number of blades:** 5
- **Direction of rotation:** clockwise, seen on rotor
- **Type of protection:** IP 54 (acc. to EN 60529)
- **Insulation class:** "F"
- **Mounting position:** Shaft horizontal or rotor on bottom; rotor on top on request
- **Condensate discharge holes:** Rotor-side
- **Mode of operation:** Continuous operation (S1)
- **Bearings:** Maintenance-free ball bearings
- **Motor protection:** Design with thermal overload protector

Nominal data		Blade angle	Curve	Nominal voltage	Frequency	Speed/rpm ⁽¹⁾	Max. power input ⁽¹⁾	Max. current draw ⁽¹⁾	Capacitor	Max. operative range	Perm. amb. temp.	Electr. connection
Type	Motor			VAC	Hz	rpm	kW	A	µF/VDB	Pa	°C	p. 34
*6D 910	M6D 138-NA	0°	(A)	3~400 Δ	50	885	2,48	5,15	—	150	-40..+50	F1b)/F2b)
			(B)	3~400 Y	50	685	1,57	2,90	—	90	-40..+50	
*8D 910	M8D 138-LA	0°	(C)	3~400 Δ	50	650	1,15	2,78	—	90	-40..+65	F1b)/F2b)
			(D)	3~400 Y	50	475	0,64	1,36	—	47	-40..+65	
*ZD 910	MZD 138-HF	0°	(E)	3~400 Δ	50	420	0,41	1,13	—	38	-40..+65	F1b)/F2b)
			(F)	3~400 Y	50	305	0,21	0,48	—	20	-40..+65	

subject to alterations

(1) Nominal data in operating point 3 with maximum load

Curves



Air performance measured as per: ISO 5801, Installation category A, in ebm-papst full nozzle and without protection against accidental contact

Suction-side noise levels: L_{wA} as per ISO 13347, L_{pA} measured at 1 m distance to fan axis

The acoustic values given are only valid under the measurement conditions listed and may vary depending on the installation situation.

With any deviation to the standard setup, the specific values have to be checked and reviewed once installed or fitted!

For detailed information see page 36 ff.

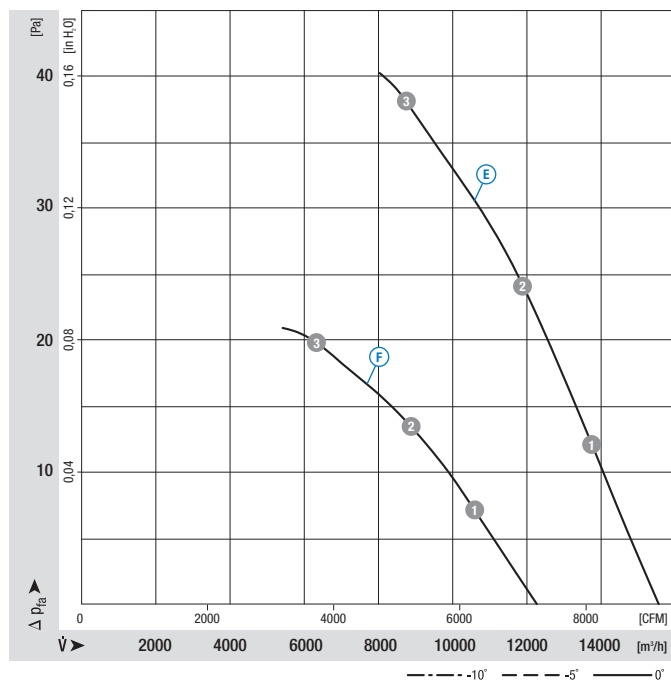
	n [rpm]	P ₁ [kW]	I [A]	L _{wA} [dB(A)]
(A) 1	915	2,05	4,67	75
(A) 2	900	2,26	4,88	75
(A) 3	885	2,48	5,15	77
(B) 1	750	1,41	2,67	70
(B) 2	715	1,49	2,82	69
(B) 3	685	1,57	2,90	71
(C) 1	675	0,95	2,57	68
(C) 2	665	1,05	2,67	67
(C) 3	650	1,15	2,78	70
(D) 1	530	0,59	1,24	61
(D) 2	500	0,62	1,31	59
(D) 3	475	0,64	1,36	63

- **Cable exit:** Via terminal box
- **Protection class:** I (acc. to EN 61800-5-1)
- **Product conforming to standard:** CE
- **Approvals:** VDE (acc. to EN 60034)

Direction of air flow	Direction of air flow		
	Without attachments	With full square nozzle	With guard grille for full nozzle
"V"	A6D 910-AA01 -01	W6D 910-GA01 -01	S6D 910-CA01 -01
"V"	A8D 910-AD03 -01	W8D 910-GD03 -01	S8D 910-CD03 -01
"V"	AZD 910-AG03 -01	WZD 910-GG03 -01	SZD 910-CG03 -01

Direction of air flow "A" on request

Curves



Air performance measured as per: ISO 5801, Installation category A, in ebm-papst full nozzle and without protection against accidental contact

Suction-side noise levels: L_{wA} as per ISO 13347, L_{pA} measured at 1 m distance to fan axis

The acoustic values given are only valid under the measurement conditions listed and may vary depending on the installation situation.

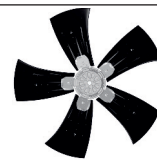
With any deviation to the standard setup, the specific values have to be checked and reviewed once installed or fitted!

For detailed information see page 36 ff.

	n [rpm]	P ₁ [kW]	I [A]	L _{wA} [dB(A)]
Ⓔ ①	440	0,34	1,08	57
Ⓔ ②	430	0,37	1,10	56
Ⓔ ③	420	0,41	1,13	59
Ⓕ ①	340	0,19	0,44	51
Ⓕ ②	325	0,20	0,46	49
Ⓕ ③	305	0,21	0,48	50

AC axial fans - HyBlade®

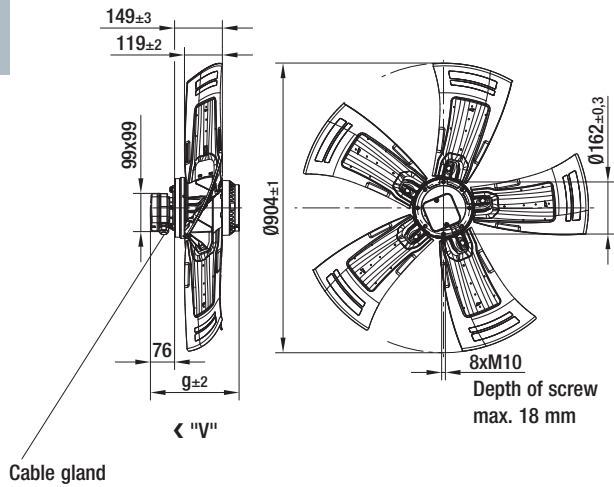
Ø 910 with motor M*D138, drawings for direction of air flow "V"



Without attachments

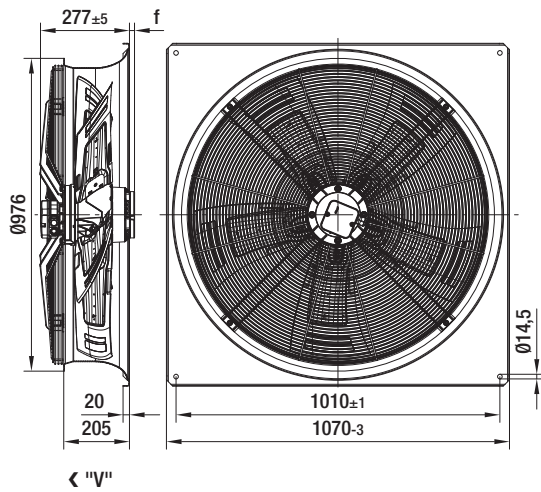
Type	Mass [kg]	g
A6D 910-AA01 -01	26,9	297,0
A8D 910-AD03 -01	23,7	277,0
AZD 910-AG03 -01	19,8	252,0

Internal diameter of the wall ring at least 913 mm



With full square nozzle

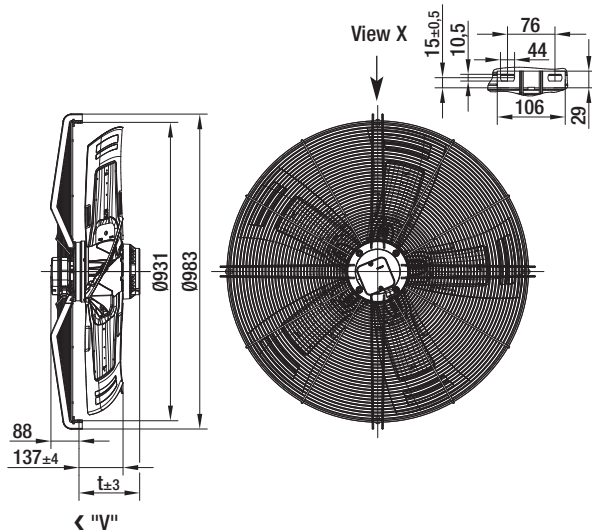
Type	Mass [kg]	f
W6D 910-GA01 -01	51,6	19,0
W8D 910-GD03 -01	48,4	---
WZD 910-GG03 -01	44,5	---



With guard grille for full nozzle

Type	Mass [kg]	t
S6D 910-CA01 -01	34,9	209,0
S8D 910-CD03 -01	31,6	189,0
SZD 910-CG03 -01	27,8	164,0

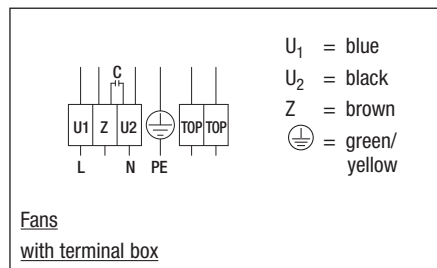
Internal diameter of the wall ring at least 913 mm



Electrical connections AC

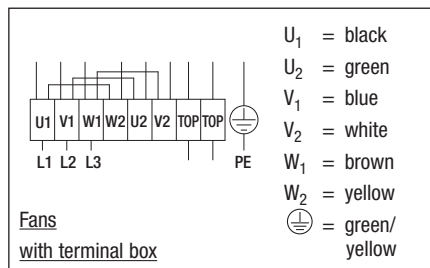
Fans (1 ~ 230 VAC power line)

A2b) Single-phase capacitor motor
with connection for external TOP

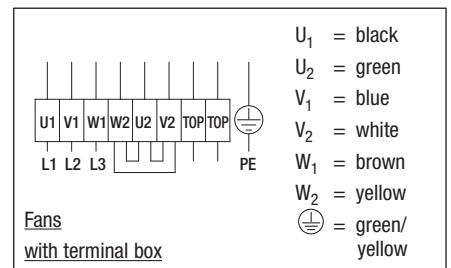


Fans, 2 speeds via Δ/Y-switch (3~ 400 VAC power line)

F1b) Delta connection (high speed)
with TOP

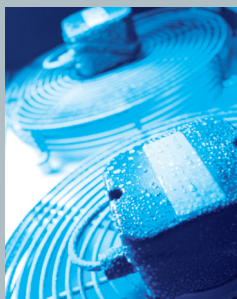


F2b) Star connection (low speed)
with TOP



Direction of rotation is reversed by swapping two line phases.

Technical parameters & scope



High standards for all ebm-papst products

Here at ebm-papst, we constantly strive to further improve our products in order to be able to offer you the best possible product for your application. Careful monitoring of the market ensures that technical innovations are reflected in the improvements of our products.

Based on the technical parameters listed below and the ambience you want our product to operate in, we here at ebm-papst can always work out the best solution for your specific application.

General performance parameters

Any deviations from the technical data and parameters described here are listed on the product-specific data sheet.

Type of protection

The type of protection is specified in the product-specific data sheets.

Insulation class

The insulation class is specified in the product-specific data sheets.

Mounting position

The mounting position is specified in the product-specific data sheets.

Condensate discharge holes

Information on the condensate discharge holes is provided in the product-specific data sheets.

Mode of operation

The mode of operation is specified in the product-specific data sheets.

Protection class

The protection class is specified in the product-specific data sheets..

Service life

The service life of ebm-papst products depends on two major factors:

- The service life of the insulation system
- The service life of the bearing system

The service life of the insulation system mainly depends on voltage level, temperature and ambient conditions, such as humidity and condensation.

The service life of the bearing system depends mainly on the thermal load on the bearing.

The majority of our products use maintenance-free ball bearings for any mounting position possible. As an option, sleeve bearings can be used, which is indicated on the product-specific data sheet wherever applicable.

The service life L10 of the ball bearings can be taken as approx. 40,000 operating hours at an ambient temperature of 40 °C, yet this estimate can vary according to the actual ambient conditions.

We will gladly provide you with a lifetime calculation taking into account your specific operating conditions.

Motor protection / thermal protection

Information on motor protection and thermal protection is provided in the product-specific data sheets.

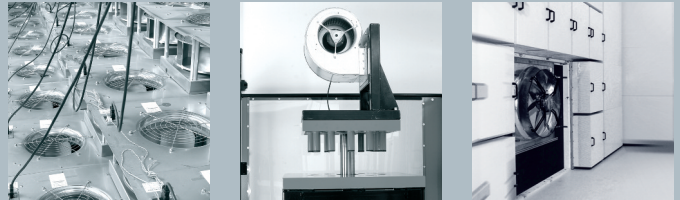
Depending on motor type and field of application, the following protective features are realised:

- Thermal overload protection (TOP), either in-circuit or external
- PTC with electronic diagnostics
- Impedance protection
- Thermal overload protection (TOP) with electronic diagnostics
- Current limitation via electronics

If an external TOP is connected, the customer has to make sure to connect a conventional trigger device for switching it off.

Products without fitted TOP and without protection against improper use, a motor protection complying with the valid standards has to be installed.

*Left: Endurance test room
Middle: Shock test
Right: Chamber test rig*



■ Mechanical strain / performance parameters

All ebm-papst products are subjected to comprehensive tests complying with the normative specifications. In addition to this, the tests also reflect the vast experience and expertise of ebm-papst.

Vibration test

Vibration tests are carried out in compliance with

- Vibration test in operation according to DIN IEC 68, parts 2-6
- Vibration test at standstill according to DIN IEC 68, parts 2-6

Shock load

Shock load tests are carried out in compliance with

- Shock load according to DIN IEC 68, parts 2-27

Balancing quality

Testing the balancing quality is carried out in compliance with

- Residual imbalance according to DIN ISO 1940
- Standard balancing quality level G 6.3

Should you require a higher balancing quality level for your specific application, please let us know and specify this when ordering your product.

■ Chemo-physical strain / performance parameters

Should you have questions about chemo-physical strain, please direct them to your ebm-papst contact.

■ Fields of application, industries and applications

Our products are used in various industries and applications:

Ventilation, air-conditioning and refrigeration technology, clean room technology, automotive and rail technology, medical and laboratory technology, electronics, computer and office technology, telecommunications, household appliances, heating, machines and plants, drive engineering. Our products are not designed for use in the aviation and aerospace industry!

■ Legal and normative directives

The products described in this catalogue are designed, developed and produced in keeping with the standards in place for the relevant product and, if known, the conditions governing the relevant fields of application.

Standards

Information on standards is provided in the product-specific data sheets.

EMC

Information on EMC standards is provided in the product-specific data sheets.

Complying with the EMC standards has to be established on the final appliance, as different mounting situations can result in changed EMC properties.

Leakage current

Information on the leakage current is provided in the product-specific data sheets.

Measuring is according to IEC 60990.

Approvals

In case you require a specific approval for your ebm-papst product (VDE, UL, GOST, CCC, CSA, etc.) please let us know.

Most of our products can be supplied with the relevant approval.

Information on existing approvals is provided in the product-specific data sheets.

■ Air performance measurements

All air performance measurements are carried out on suction side and on chamber test beds conforming to the specifications as per ISO 5801 and DIN 24163. The fans under test are installed in the measuring chamber at free air intake and exhaust (installation category A) and are operated at nominal voltage, with AC also at nominal frequency, and without any additional components such as guard grilles.

As required by the standard, the air performance curves correspond to an air density of 1.2 kg/m³.

Room for precision noise measuring



■ Measurement conditions for air and noise measurement

ebm-papst products are measured under the following conditions:

- Axial and diagonal fans in direction of rotation “V” in full nozzle and without guard grille
- Backward curved centrifugal fans, free-running and with inlet nozzle
- Forward curved single and dual inlet centrifugal fans with housing

■ Noise measurements

All noise measurements are carried out in low-reflective test rooms with reverberant floor. Thus the ebm-papst acoustic test chambers meet the requirements of precision class 1 according to DIN EN ISO 3745. For noise measurement, the fans being tested are placed in a reverberant wall and operated at nominal voltage (for AC, also at nominal frequency) without additional attachments such as the guard grille.

Sound pressure level and sound level

All acoustic values are established according to ISO 13347, DIN 45635 and ISO 3744/3745 to accuracy class 2 and given in A-rated form.

When the sound pressure level (L_p) is measured, the microphone is on the intake side of the fan being tested, usually at a distance of 1 m on the fan axis.

To measure the sound level (L_w), 10 microphones are distributed over an enveloping surface on the intake side of the fan being tested (see graphic). The sound level measured can be roughly calculated from the sound pressure level by adding 7 dB.

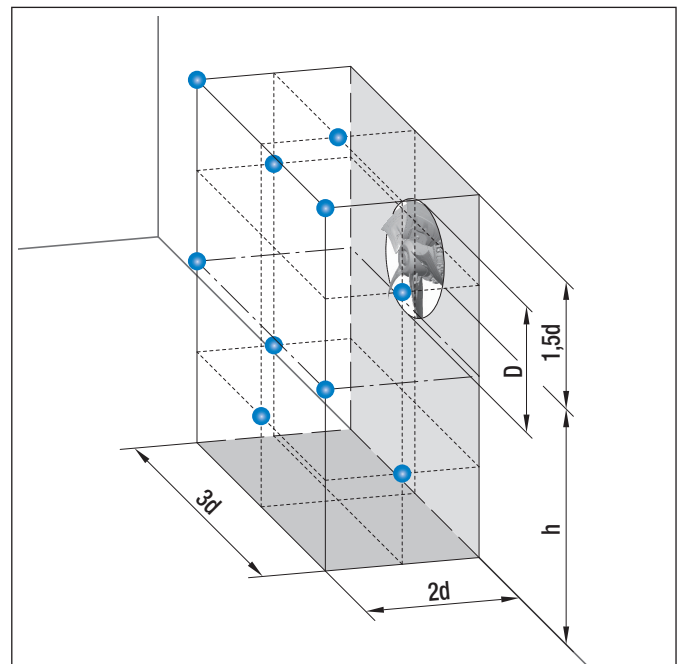
Measuring configuration as per ISO 13347-3 respectively DIN 45635-38:

- 10 measuring points

$$d \geq D$$

$$h = 1,5d \dots 4,5d$$

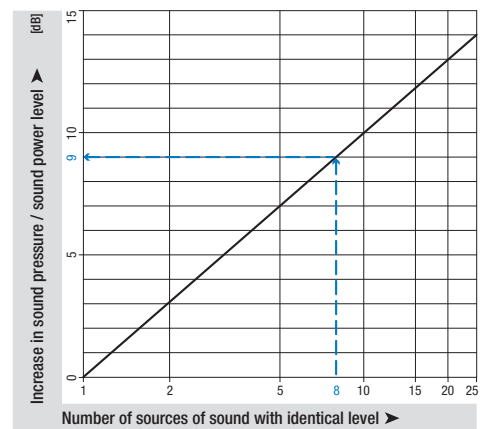
$$\text{Measurement area } S = 6d^2 + 7d(h + 1,5d)$$



Adding multiple noise sources with the same level

Adding 2 noise sources with the same volume results in a level increase of approx. 3 dB. The noise characteristics of multiple identical fans can be determined in advance based on the noise values specified in the data sheet. This is shown in the diagram opposite.

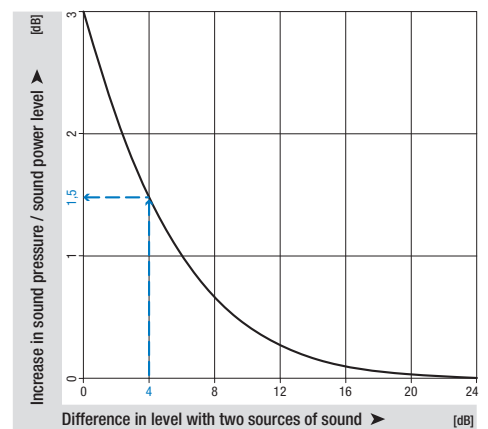
Example: 8 A3G800 axial fans are on a condenser. According to the data sheet, the sound pressure level of a fan is approximately 75 dB(A). The level increase measured from the diagram is 9 dB. Thus the overall sound level of the installation can be expected to be 84 dB(A).



Adding two noise sources with different levels

The acoustic performance of two different fans can be predetermined based on the sound levels given in the data sheet. This is shown in the diagram opposite.

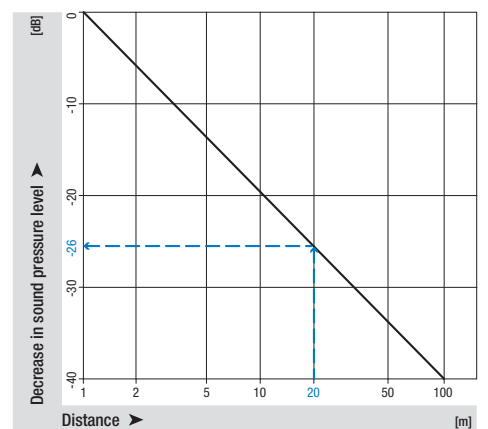
Example: There is an axial fan A3G800 with a sound pressure level of 75 dB(A) at the operating point and an axial fan A3G710 with 71 dB(A) in a ventilation unit. The level difference is 4 dB. The level increase can now be read in the diagram as approx. 1.5 dB. This means that the overall sound level of the unit can be expected to be 76.5 dB(A).



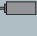



Distance laws

Sound power level is independent of distance to the sound source. In contrast to this, sound pressure level decreases the further away the noise source is. The adjacent diagram shows the decrease in level under far sound field conditions. Far sound field conditions apply whenever the distance between microphone and fan is big when compared to fan diameter and wavelength to be considered. For more information on far sound field, please consult the relevant literature on this complex topic. Per doubling of distance, the level in the far sound field decreases by 6 dB. In the near field of the fan, other correlations apply and the decrease in levels can be considerably smaller. The following example only applies to far sound field conditions and can vary strongly depending on the installation effects:

With an axial fan A3G300, a sound pressure level of 65 dB(A) was measured at a distance of 1 m. According to the adjacent diagram, at a distance of 20 m we would get a reduction by 26 dB, i.e. a sound pressure level of 39 dB(A).



-  fan agent
-  compact fan agent
-  motor specialist
-  motor agent

ebm-papst representatives & subsidiaries

Germany

ebm-papst Muldingen GmbH & Co. KG

Bachmühle 2
D-74673 Muldingen
Phone +49 7938 81-0
Fax +49 7938 81-110
info1@de.ebmpapst.com

www.ebmpapst.com

ebm-papst St. Georgen GmbH & Co. KG

Hermann-Papst-Straße 1
D-78112 St. Georgen
Phone +49 7724 81-0
Fax +49 7724 81-1309
info2@de.ebmpapst.com

www.ebmpapst.com

ebm-papst Landshut GmbH

Hofmark-Aich-Straße 25
D-84030 Landshut
Phone +49 871 707-0
Fax +49 871 707-465
info3@de.ebmpapst.com

www.ebmpapst.com

Agencies

-  **Berlin**
 Dipl.-Ing. (TH) Jens Duchow
 Händelstraße 7
 D-16341 Panketal
Phone +49 30 944149-62
Fax +49 30 944149-63
Jens.Duchow@de.ebmpapst.com
-  **Bielefeld**
 Dipl.-Ing. (FH) Wolf-Jürgen Weber
 Niehausweg 13
 D-33739 Bielefeld
Phone +49 5206 91732-31
Fax +49 5206 91732-35
Wolf-Juergen.Weber@de.ebmpapst.com
-  **Dortmund**
 Dipl.-Ing. (FH) Hans-Joachim Pundt
 Auf den Steinern 3
 D-59519 Möhnese-see-Völlinghausen
Phone +49 2925 800-407
Fax +49 2925 800-408
Hans-Joachim.Pundt@de.ebmpapst.com
-  **Frankfurt**
 Dipl.-Ing. Christian Kleffmann
 Dr.-Hermann-Krause-Straße 23
 D-63452 Hanau
Phone +49 6181 1898-12
Fax +49 6181 1898-13
Christian.Kleffmann@de.ebmpapst.com
-  **Halle**
 Dipl.-Ing. (TU) Michael Hanning
 Lerchenweg 4
 D-06120 Lieskau
Phone +49 345 55124-56
Fax +49 345 55124-57
Michael.Hanning@de.ebmpapst.com
-  **Hamburg**
 Ingenieurbüro Breuell GmbH
 Ing. Dirk Kahl
 Elektroingenieur
Grützmühlenweg 40
D-22339 Hamburg
Phone +49 40 538092-19
Fax +49 40 538092-84
Dirk.Kahl@de.ebmpapst.com


-  **Kassel**
 Dipl.-Ing. (FH) Ralph Brück
 Hoherainstraße 3 b
 D-35075 Gladenbach
Phone +49 6462 4071-10
Fax +49 6462 4071-11
Ralph.Brueck@de.ebmpapst.com
-  **Koblenz**
 Winfried Schaefer
 Hinter der Kirch 10
 D-56767 Uersfeld
Phone +49 2657 16-96
Fax +49 2657 16-76
Winfried.Schaefer@de.ebmpapst.com
-  **Munich**
 Dipl.-Wirt.-Ing. (FH) Jens Peter
 Uhlandstraße 6
 D-74427 Fichtenberg
Phone +49 7971 260-180
Fax +49 7971 260-221
Jens.Peter@de.ebmpapst.com
-  **Nuremberg**
 Friedrich Klein
 Adlerstraße 49/1
 D-73540 Heubach
Phone +49 7173 4983
Fax +49 7173 8053
Friedrich.Klein@de.ebmpapst.com
-  **Offenburg**
 Dipl.-Ing. (FH) Ralf Braun
 Hubeneck 21
 D-77704 Oberkirch
Phone +49 7802 9822-52
Fax +49 7802 9822-53
Ralf.Braun@de.ebmpapst.com
-  **Stuttgart**
 Dipl.-Ing. (FH) Rudi Weinmann
 Hindenburgstraße 100/1
 D-73207 Plochingen
Phone +49 7153 9289-80
Fax +49 7153 9289-81
Rudi.Weinmann@de.ebmpapst.com
-  **Ulm**
 Dipl.-Wirt.-Ing. (FH) Axel Resch
 Bachmühle 2
 D-74673 Muldingen
Phone +49 7938 81-7092
Fax +49 7938 81-110
Axel.Resch@de.ebmpapst.com

Distributors

-  **Frankfurt**
R.E.D. Handelsgesellschaft mbH
Gutenbergstraße 3
D-63110 Rodgau - Jügesheim
Phone +49 6106 841-0
Fax +49 6106 841-111
info@red-elektromechanik.de
www.red-elektromechanik.de
-  **Hamburg**
Breuell + Hilgenfeldt GmbH
Grützmühlenweg 40
D-22339 Hamburg
Phone +49 40 538092-20
Fax +49 40 538092-84
info@breuell-hilgenfeldt.de
-  **Munich**
A. Schweiger GmbH
Ohmstraße 1
D-82054 Sauerlach
Phone +49 8104 897-0
Fax +49 8104 897-90
info@schweiger-gmbh.de
www.schweiger-gmbh.com
- **Express Service-Center** (1 to 5 pieces)
-  **North**
 Breuell + Hilgenfeldt GmbH
 Grützmühlenweg 40
 D-22339 Hamburg
Phone +49 40 538092-20
Fax +49 40 538092-84
ebmpapst@breuell-hilgenfeldt.de
-  **South**
 HDS Ventilatoren Vertriebs GmbH
 Glaswiesenstraße 1
 D-74677 Dörzbach
Phone +49 7937 8033520
Fax +49 7937 8033525
info@hds-gmbh.net

Europe

 **Austria**
 ebm-papst Motoren & Ventilatoren GmbH
 Straubingstraße 17
A-4030 Linz
Phone +43 732 321150-0
Fax +43 732 321150-20
info@at.ebmpapst.com
www.ebmpapst.at

 **Belarus**
 ebm-papst Bel AgmbH
 P.O. Box 117
BY-220138 Minsk
Phone +375 17 3851556
Fax +375 17 3851556
info@by.ebmpapst.com
www.ebmpapst.by

 **Belgium**
 ebm-papst Benelux B.V.
 Sales office Belgium-Luxemburg
Romeinsestraat 6/0101
Research Park Haasrode
B-3001 Heverlee-Leuven
Phone +32 16 396-200
Fax +32 16 396-220
info@be.ebmpapst.com
www.ebmpapst.be

 **Bulgaria**
 ebm-papst Romania S.R.L.
 Str. Tirnavei Nr. 20
RO-500327 Brasov
Phone +40 268 312-805
Fax +40 268 312-805
dudasludovic@xnet.ro

 **Croatia**
 ebm-papst Industries Kft.
 Ezred u. 2.
H-1044 Budapest
Phone +36 1 8722-190
Fax +36 1 8722-194
office@hu.ebmpapst.com

 **Czech Republic / Slovakia**
 ebm-papst CZ s.r.o.
 Kaštanová 34a
CZ-620 00 Brno
Phone +420 547 232-617
Fax +420 547 232-622
info@ebmpapst.cz
www.ebmpapst.cz

 **Denmark**
 ebm-papst Denmark ApS
 Vallensbækvej 21
DK-2605 Brøndby
Phone +45 43 631111
Fax +45 43 630505
mail@dk.ebmpapst.com
www.ebmpapst.dk

 **Estonia**
 ebm-papst Oy, Eesti Filiaal
 Kesk tee 13
Aaviku küla, Jüri Tehnopol
EST-75301 Rae Vald, Harjumaa
Phone +372 65569-78
Fax +372 65569-79
www.ebmpapst.ee

 **Finland**
 ebm-papst Oy
 Puistotie 1
FIN-02760 Espoo
Phone +358 9 887022-0
Fax +358 9 887022-13
mailbox@ebmpapst.fi
www.ebmpapst.fi

 **France**
 ebm-papst SARL
 ZI Nord - rue A. Mohler
BP 62
F-67212 Obernai-Cedex
Phone +33 820 326266
Fax +33 3 88673883
info@ebmpapst.fr
www.ebmpapst.fr

 **Greece**
 Helcoma
 Th. Rotas & Co OE
Davaki 65
GR-17672 Kallithea-Attiki
Phone +30 210 9513-705
Fax +30 210 9513-490
contact@helcoma.gr
www.helcoma.gr

 **Hungary**
 ebm-papst Industries Kft.
 Ezred u. 2.
H-1044 Budapest
Phone +36 1 8722-190
Fax +36 1 8722-194
office@hu.ebmpapst.com

 **Iceland**
 RJ Engineers
 Stangarhyl 1A
IS-110 Reykjavik
Phone +354 567 8030
Fax +354 567 8015
rj@rj.is
www.rj.is

 **Ireland**
 ebm-papst Limited
 Portlaoise Business & Technology Park
Mountrath Road
IRL-Portlaoise, Co. Laois
Phone +353 5786 643-43
Fax +353 5786 643-46
sales@ie.ebmpapst.com
www.ebmpapst.ie

 **Italy**
 ebm-papst Srl
 Via Cornaggia 108
I-22076 Mozzate (Co)
Phone +39 0331 836201
Fax +39 0331 821510
info@it.ebmpapst.com
www.ebmpapst.it

 **Macedonia**
 ebm-papst Industries Kft.
 Ezred u. 2.
H-1044 Budapest
Phone +36 1 8722-190
Fax +36 1 8722-194
office@hu.ebmpapst.com



fan agent



compact fan agent



motor specialist



motor agent

ebm-papst representatives & subsidiaries



Netherlands

ebm-papst Benelux B.V.
Engelseweg 127
NL-5705 AC Helmond
Phone +31 492 502-900
Fax +31 492 502-950
verkoop@nl.ebmpapst.com
www.ebmpapst.nl



Norway

ebm-papst AS
P.B. 173 Holmlia
N-1203 Oslo
Phone +47 22 763340
Fax +47 22 619173
mailbox@ebmpapst.no
www.ebmpapst.no



Poland

ebm-papst Polska Sp. z o.o.
ul. Annopol 4A
PL-03236 Warszawa
Phone +48 22 6757819
Fax +48 22 6769587
office@ebmpapst.pl
www.ebmpapst.pl



Portugal

ebm-papst (Portugal), Lda.
Av. Marechal Gomes da Costa, 35 e
Rua Conselheiro Emidio Navarro
P-1800-255 Lisboa
Phone +351 218 394-880
Fax +351 218 394-759
info@pt.ebmpapst.com
www.ebmpapst.pt



Romania

ebm-papst Romania S.R.L.
Str. Tirnavei Nr. 20
RO-500327 Brasov
Phone +40 268 312-805
Fax +40 268 312-805
dudasludovic@xnet.ro



Russia

ebm-papst Ural GmbH
Posadskaja-Strasse, 23(E), 3
RU-620102 Ekaterinburg
Phone +7 343 2338000
Fax +7 343 2337788
Konstantin.Molokov@ru.ebmpapst.com
www.ebmpapst.ur.ru



ebm-papst Rus GmbH

proezd 4529, vladenie 5, stroenie 1
RU-141000 Mytistschi, Oblast Moskau
Phone +7 495 9807524
Fax +7 495 5140924
info@ebmpapst.ru
www.ebmpapst.ru



Serbia & Montenegro

ebm-papst Industries Kft.
Ezred u. 2.
H-1044 Budapest
Phone +36 1 8722-190
Fax +36 1 8722-194
office@hu.ebmpapst.com



Spain

ebm-papst Ibérica S.L.
Avda. del Sistema Solar, 29
E-28830 San Fernando de Henares (Madrid)
Phone +34 91 6780894
Fax +34 91 6781530
ventas@ebmpapst.es



Sweden

ebm-papst AB
Äggelundavägen 2
S-17562 Järfälla
Phone +46 8 7619400
Fax +46 8 362306
info@ebmpapst.se
www.ebmpapst.se



Switzerland

ebm-papst AG
Rütisbergstrasse 1
CH-8156 Oberhasli
Phone +41 44 73220-70
Fax +41 44 73220-77
verkauf@ebmpapst.ch
www.ebmpapst.ch



Turkey

Akantel Elektronik San. Tic. LTD. Sti.
Atatürk Organize Sanayi
Bölgəsi 10007 SK. No.:6
TR-35620 Cigli-Izmir
Phone +90 232 3282090
Fax +90 232 3280270
akantel@akantel.com.tr
www.ebmpapst.com.tr



Ukraine

ebm-papst Ukraine LLC
Lepse Boulevard, 4, Building 47
UA-03067 Kiev
Phone +38 044 2063091
Fax +38 044 2063091
mail@ebmpapst.ua
www.ebmpapst.ua



United Kingdom

ebm-papst UK Ltd.
Chelmsford Business Park
GB-Chelmsford Essex CM2 5EZ
Phone +44 1245 468555
Fax +44 1245 466336
sales@uk.ebmpapst.com
www.ebmpapst.co.uk



ebm-papst Automotive & Drives (UK) Ltd.

The Smithy
Fidlers Lane, East Ilsley
GB-Berkshire RG20 7LG
Phone +44 1635 2811-11
Fax +44 1635 2811-61
A&Dsales@uk.ebmpapst.com
www.ebmpapst-ad.com

America



Argentina



ebm-papst de Argentina S.A.
Hernandarias 148 Lomas del Mirador
Pcia. de Buenos Aires (1752)
Phone +54 11 46576135
Fax +54 11 46572092
ventas@ar.ebmpapst.com
www.ebmpapst.com.ar



Brasil



ebm-papst Motores Ventiladores Ltda.
Av. José Giorgi, 301 Galpões B6+B7
Condominio Logical Center
BR-06707-100 Cotia - São Paulo
Phone +55 11 4613-8700
Fax +55 11 3164-8924
vendas@br.ebmpapst.com
www.ebmpapst.com.br



Canada



ebm-papst Canada Inc.
1800 Ironstone Manor, Unit 2
CDN-Pickering, Ontario, L1W3J9
Phone +1 905 420-3533
Fax +1 905 420-3772
sales@ca.ebmpapst.com
www.ebmpapst.ca



Mexico



ebm Industrial S.de R.L. de C.V.
Paseo de Tamarindos 400-A-5º Piso
Col. Bosques de las Lomas
MEX-Mexico 05120, D.F.
Phone +52 55 3300-5144
Fax +52 55 3300-5243
sales@mx.ebmpapst.com
www.ebmpapst.com.mx

USA



ebm-papst Inc.
P.O. Box 4009
100 Hyde Road
USA-Farmington, CT 06034
Phone +1 860 674-1515
Fax +1 860 674-8536
sales@us.ebmpapst.com
www.ebmpapst.us



ebm-papst Automotive & Drives, Inc.
3200 Greenfield, Suite 255
USA-Dearborn, MI 48120
Phone +1 313 406-8080
Fax +1 313 406-8081
automotive@us.ebmpapst.com
www.ebmpapst-automotive.us

Africa



South Africa



ebm-papst South Africa (Pty) Ltd.
P.O. Box 3124
1119 Yacht Avenue
ZA-2040 Honeydew
Phone +27 11 794-3434
Fax +27 11 794-5020
info@za.ebmpapst.com
www.ebmpapst.co.za



fan agent



compact fan agent



motor specialist



motor agent

ebm-papst representatives & subsidiaries

Asia



China



ebm-papst Ventilator (Shanghai) Co., Ltd.
No. 418, Huajing Road
WaiGaoQiao Free Trade Zone
No. 2001, Yang Gao (N) Road
VRC-200131 Shanghai, P.R. of China
Phone +86 21 5046-0183
Fax +86 21 5046-1119
sales@cn.ebmpapst.com
www.ebmpapst.com.cn



Hong Kong



ebm-papst Hong Kong Ltd.
Unit No. 13,9 / F
Technology Park, 18 On Lai Street
Siu Lek Yuen, Shatin N.T.
Hong Kong - P.R. of China
Phone +852 2145-8678
Fax +852 2145-7678
info@hk.ebmpapst.com



India



ebm-papst India Pvt. Ltd.
26/3, G.N.T. Road, Erukkencherry
IND-Chennai-600118
Phone +91 44 25372556
Fax +91 44 25371149
sales@in.ebmpapst.com
www.ebmpapst.in



Indonesia



ebm-papst Indonesia
Representative Office
German Centre, 4th Floor, Suite 4470
Jl. Kapt. Subijono Dj. Bumi Serpong Damai
RI-15321 Tangerang
Phone +62 21 5376250
Fax +62 21 5388305
salesdept@id.ebmpapst.com



Israel



Polak Bros. Import Agencies Ltd.
9 Hamefalsim Street
IL-Kiryat Arie, Petach-Tikva 49514
Phone +972 3 9100300
Fax +972 3 5796679
polak@polak.co.il
www.polak.co.il



Japan



ebm-papst Industries Japan K.K.
12 Floor, Benex S-3 Bldg.
3-20-8 Shinyokohama, Kohoku-ku
J-222-0033 Yokohama
Phone +81 45 47057-51
Fax +81 45 47057-52
info@jp.ebmpapst.com
www.ebmpapst.jp



Korea



ebm-papst Korea Co. Ltd.
6F, Trutec Bldg.
B 6-2, Digital Media City (DMC)
Sangam-Dong, Mapo-Gu
ROK-Seoul 121-270
Phone +82 2 366213-24
Fax +82 2 366213-26
info@kr.ebmpapst.com
www.ebmpapst.co.kr



Malaysia



ebm-papst Malaysia
Representative Office
Unit 12-2, Jalan USJ Sentral 3
Persiaran Subang, Selangor Darul Ehsan
MAL-47600 Subang Jaya
Phone +60 3 8024-1680
Fax +60 3 8024-8718
salesdept@my.ebmpapst.com



Singapore



ebm-papst SEA Pte. Ltd.
No. 23 Ubi Road 4
#06-00 Olympia Industrial Building
SGP-Singapore 408620
Phone +65 65513789
Fax +65 68428439
salesdept@sg.ebmpapst.com



Taiwan



ETECO Engineering & Trading Corp.
10F-I, No. 92, Teh-Wei Str.
RC-Tsow-Inn District, Kaohsiung
Phone +886 7 557-4268
Fax +886 7 557-2788
eteco@ms22.hinet.net
www.ebmpapst.com.tw



Thailand



ebm-papst Thailand Co., Ltd.
99/349 Na-Nakorn Bldg., 4th Floor
Chaeng Wattana Road, Thungsonghong,
THA-10210 Laksi, BKK
Phone +66 2 57615-24
Fax +66 2 57615-42
salesdept@th.ebmpapst.com



United Arab Emirates



ebm-papst Middle East FZE
PO Box 17755
Jebel Ali Free Zone / FZS1 / AP05
UAE-Dubai
Phone +971 4 88608-26
Fax +971 4 88608-27
info@ae.ebmpapst.com
www.ebmpapst.ae



Vietnam



ebm-papst Vietnam
Representative Office
Room #102, 25 Nguyen Van Thu Street
District 1
VN-Ho Chi Minh City
Phone +84 8 39104099
Fax +84 8 39103970
linh.nguyen@vn.ebmpapst.com

Australia



Australia

ebm-papst A&NZ Pty Ltd.



10 Oxford Road



AUS-Laverton North, Victoria, 3026

Phone +61 3 9360-6400

Fax +61 3 9360-6464

sales@ebmpapst.com.au

www.ebmpapst.com.au



New Zealand

ebm-papst A&NZ Pty Ltd.



102 Henderson Valley Road



NZ-Henderson, Auckland 1230

Phone +64 9 837-1884

Fax +64 9 837-1899

sales@ebmpapst.com.au

www.ebmpapst.com.au

ebm-papst
Mulfingen GmbH & Co. KG

Bachmühle 2
D-74673 Mulfingen
Phone +49 (0) 79 38 / 81-0
Fax +49 (0) 79 38 / 81-110
info1@de.ebmpapst.com

www.ebmpapst.com



ebmpapst